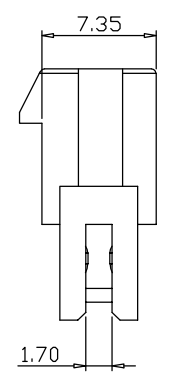
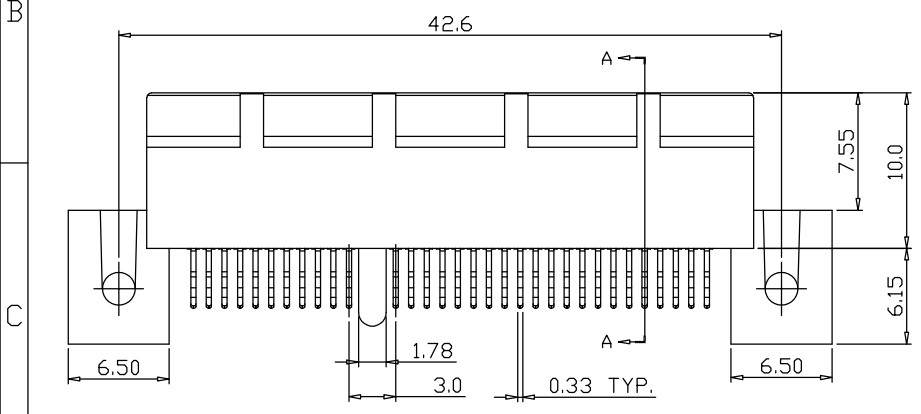
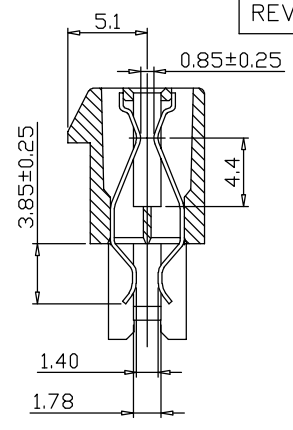
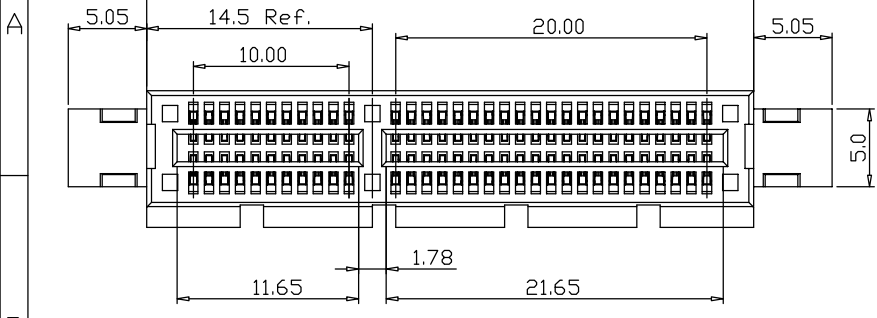


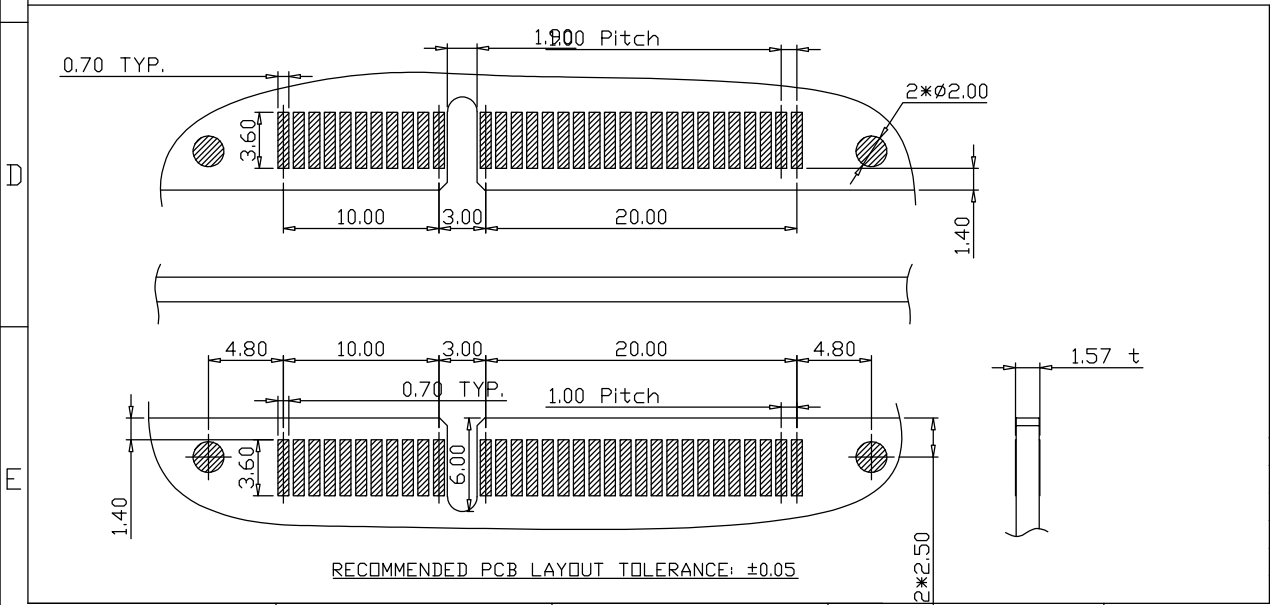
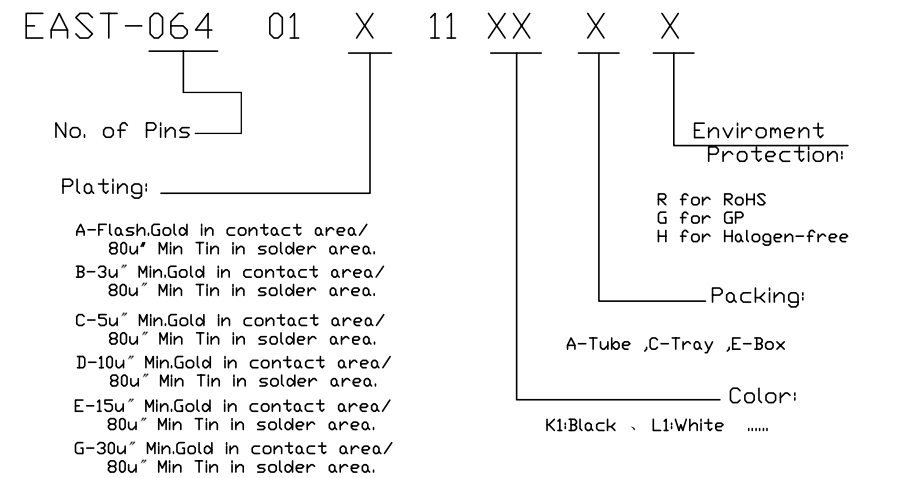
REV	LTR	DESCRIPTION	DATE	DWN
-----	-----	-------------	------	-----



- NOTES:
- Electrical characteristics:
 - Current rating: 1.1 AMP per contact;
 - Insulation resistance: 1000 Megohms at 500V DC Min;
 - Contact resistance: 30 milliohms Max (initial);
 - Mechanical characteristics:
 - Insertion force: 1.15N Max per contact pair;
 - Withdrawal force: 0.15N Min per contact pair;
 - Environmental:

TEMPERATURE RANGE: -55°C to +85°C
 - Materials:
 - Housing: LCP+30% G/F, UL94 V-0;
 - contact: Copper Alloy;
 - plating: Gold plating on contact area;
 - Tin on solder area;
 - Nickel underplating over all.

ORDER INFORMATION:



TOLERANCE		深圳市东方御业科技有限公司 WWW.DFYOCNN.COM Tel:0755-27155560	TITLE: PCIe 64P Slot, 夹板式 小夹脚 带螺丝孔和定位柱				
LINEAR	ANGLES		PART NO.:	See Table			
X.±0.50	X°.±2.0°		DWG NO.:				
.X±0.38	.X°±1.0°	APPD:	DRWN: Rocky	UNITS	SCALE	SHEET	REV
.XX±0.25	.XX°±	CHKD:	DATE: 2013-5-15	MM	1:1	1 OF 1	1
.XXX±0.10	.XXX°±						