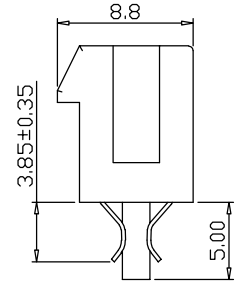
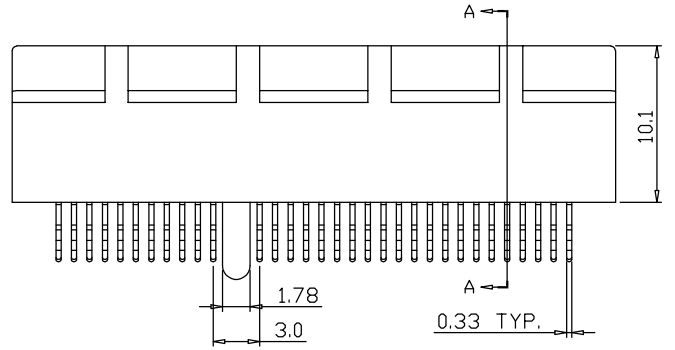
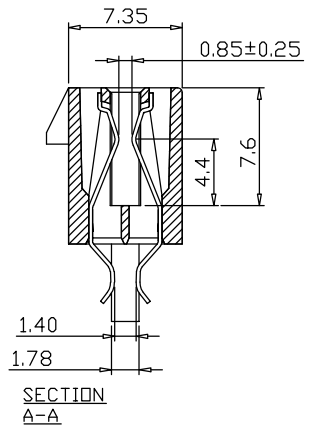
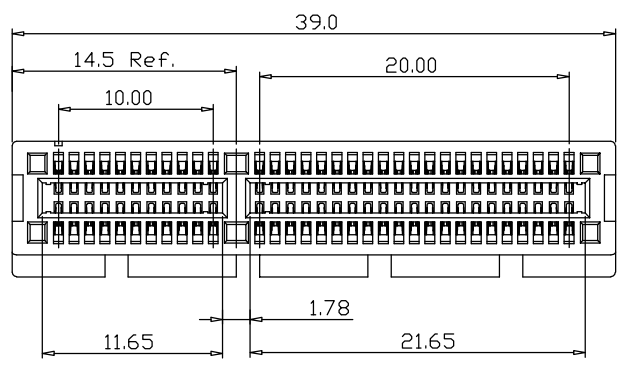


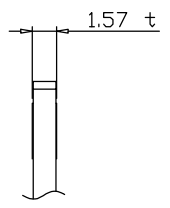
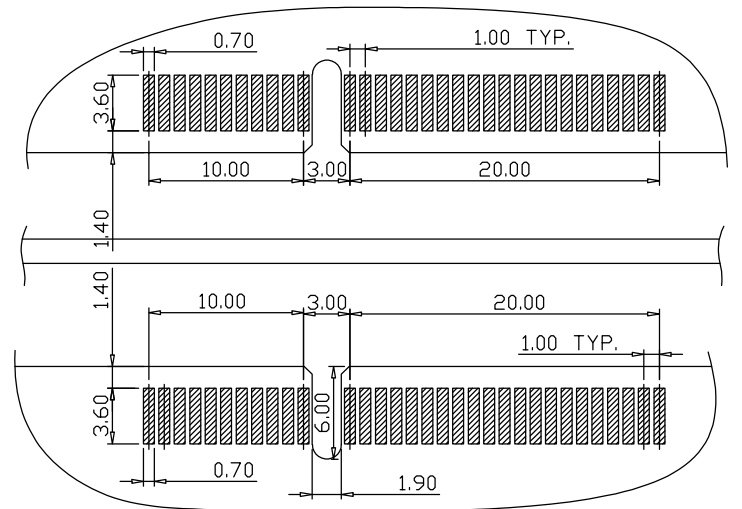
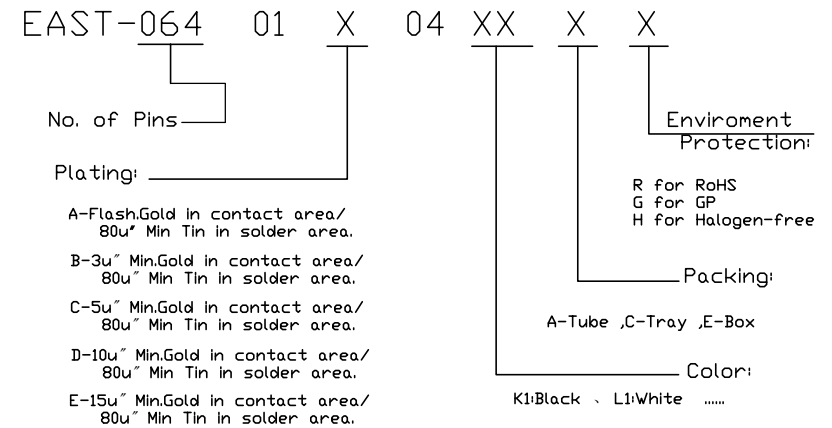
REV	LTR	DESCRIPTION	DATE	DWN
-----	-----	-------------	------	-----



NOTES:

- Electrical characteristics:
 - Current rating: 1.1 AMP per contact;
 - Insulation resistance: 1000 Megohms at 500V DC Min;
 - Contact resistance: 30 milliohms Max (initial);
- Mechanical characteristics:
 - Insertion force: 1.15N Max per contact pair;
 - Withdrawal force: 0.15N Min per contact pair;
- Materials:
 - Housing: High Temperature Thermoplastic PA9T UL 94-V0;
 - contact: Copper Alloy, Gold plating over Nickel on contact area; Tin plating on terminal;

ORDER INFORMATION:



RECOMMENDED PCB LAYOUT
TOLERANCE: ±0.05

TOLERANCE		深圳市东方御业科技有限公司 WWW.DFYCONN.COM Tel:0755-27155560	TITLE: PCIe 64P 夹板式(小夹脚) 带定位柱无螺丝孔				
LINEAR	ANGLES		PART NO.: SEE TABLE				
X.±0.50	X°.±2.0°	APPD:	DRWN: Rocky	UNITS: MM	SCALE: 1:1	SHEET: 1 OF 1	REV: 0.3
.X±0.38	.X°±1.0°						
.XX±0.25	.XX°±	CHKD:					
.XXX±0.10	.XXX°±						