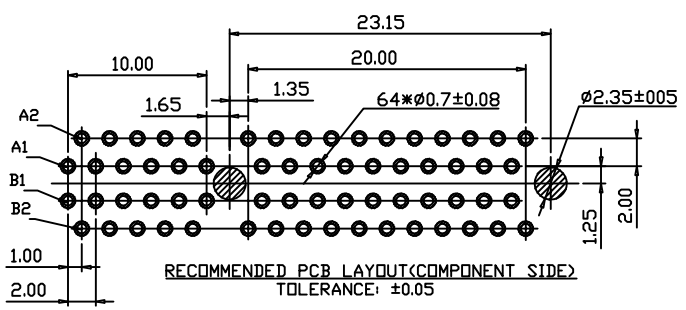
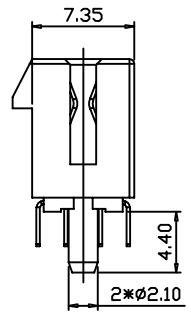
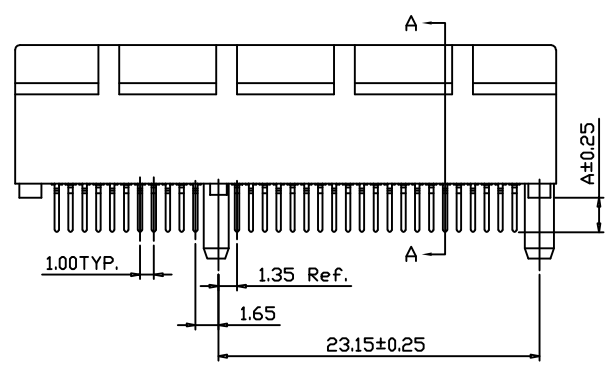
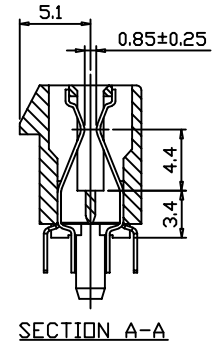
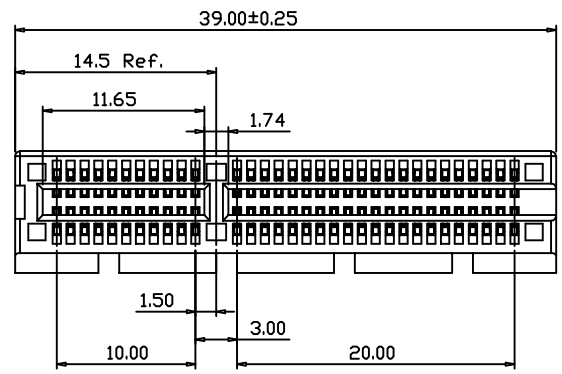
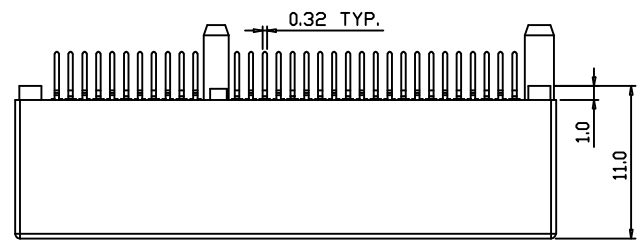


REV	LTR	DESCRIPTION	DATE	DWN
-----	-----	-------------	------	-----



***Material:**

- 1.Housing: LCP,UL 94V-0, Color:Black;
- 2.Terminal: Brass,T=0.25mm;
Plating: Gold in contact area;
80u" Min Tin in solder area;
30u" MIN.NICKEL UNDERPLATING OVER ALL.

***Electrical Characteristics:**

- 1:Contact Resistance: 30mΩ Max.
- 2:Insulation Resistance: 1000MΩ Min.
- 3:Dielectric Strength: 500V DC/1MIN.
- 4.Contact Current rating: 1.1 A Per Pin Min.

***Mechanical Characteristics:**

- 1:Insertion Force: 1.15N per contact pair Max.
- 2:Extraction Force: 0.15N per contact pair Min.
- 3.Durability rating: 50 Cycles

***Deflection Temperature: 255°C**

ORDER INFORMATION:

EAST-064 01 X 03 XX X X

No. of Pins: _____

Plating: _____

Enviroment Protection:
R for RoHS
G for GP
H for Halogen-free

Packing:
A-Tube, C-Tray, E-Box

Color:
K1:Black, L1:White

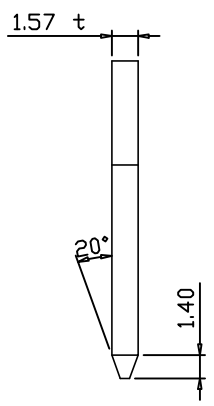
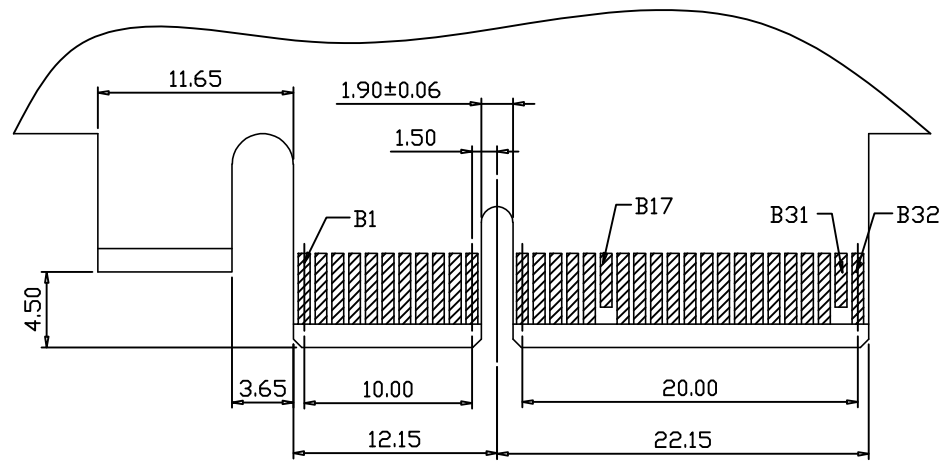
No.	PART NO.	Din A
1	EAST-06401A03K1ER	2.50
2	EAST-06401X21XXXX	3.10

TOLERANCE		深圳市东方御业科技有限公司		TITLE: PCIe 64P 开口导柱式			
LINEAR	ANGLES	www.dfyyconn.com Tel:0755-27155560		PART NO.: SEE TABLE			
X.±0.50	X°.±2.0°			DWG NO.: EAST-0640103			
.X±0.38	.X°±1.0°	APPD:	DRWN: Rocky	UNITS	SCALE	SHEET	REV
.XX±0.25	.XX°±	CHKD:	DATE: 2012-8-13	MM	1:1	1 OF 1	0.1
.XXX±0.10	.XXX°±						

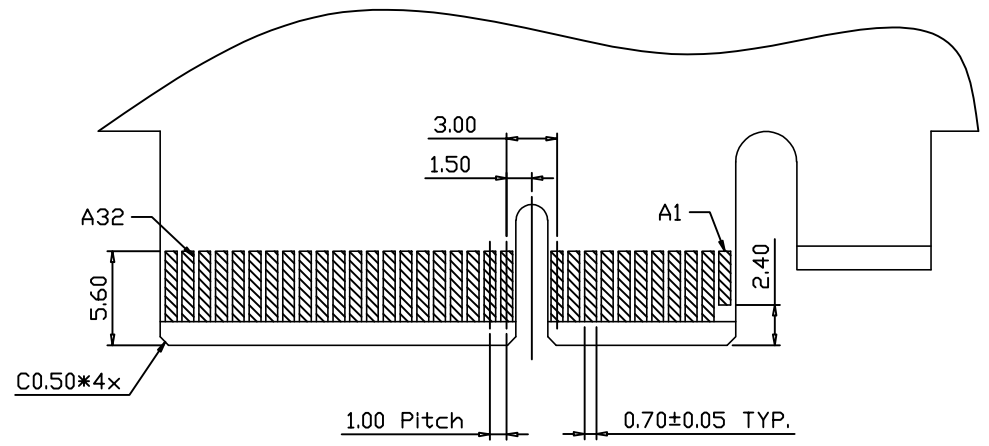
A
B
C
D
E

A
B
C
D
E

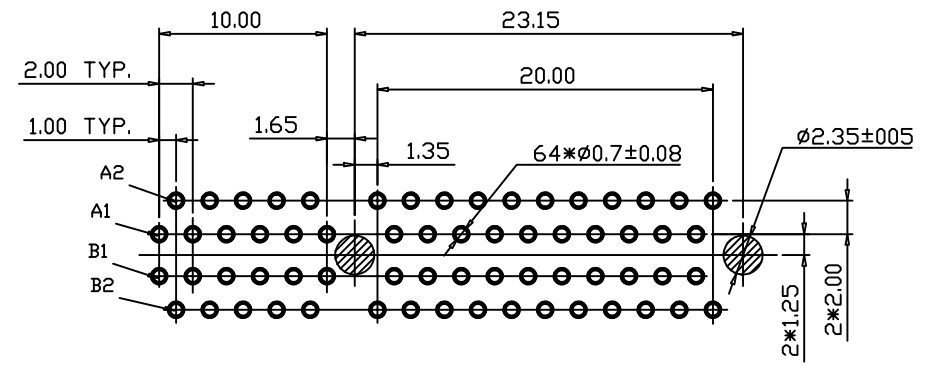
REV	LTR	DESCRIPTION	DATE	DWN
-----	-----	-------------	------	-----



RECOMMENDED EDGE CARD PATTERN (PRIMARY SIDE)



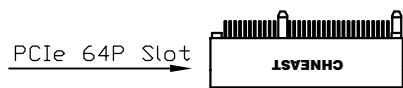
RECOMMENDED EDGE CARD PATTERN (SECONDARY SIDE)



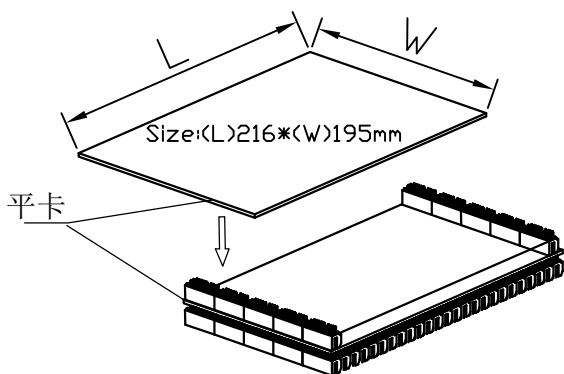
RECOMMENDED PCB LAYOUT (COMPONENT SIDE)
TOLERANCE: ±0.05

TOLERANCE		TITLE: PCIe 64Pin Slot with Post DIP=2.50mm	
LINEAR	ANGLES	深圳市东方御业科技有限公司	
X.±0.50	X°.±2.0°	WWW.DFYCDNN.COM TEL:0755-27155560	
.X±0.38	.X°±1.0°	CUSTOMER COPY	PART NO.: SEE TABLE DWG NO.: EAST-064
.XX±0.25	.XX°±	APPD:	DRWN: Rocky
.XXX±0.15	.XXX°±	CHKD:	DATE: 2018-6-6
		UNITS	SCALE SHEET REV
		MM	1:1 2 OF 2 0.1

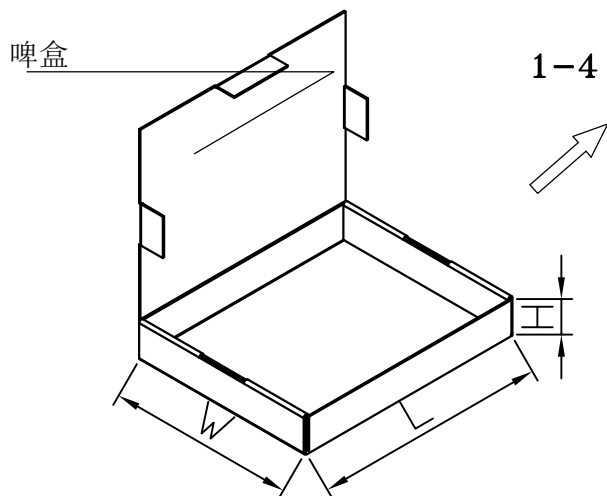
1-1 如图所示将产品摆放在平卡上;



1-2 每排摆放25PCS, 每层摆放5排;
125PCS/层, 最上层再放一平卡.

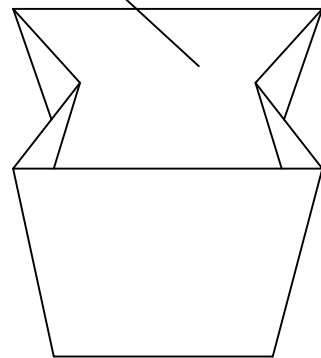


1-3 产品摆放入啤盒, 每盒摆放2层,
200PCS/盒

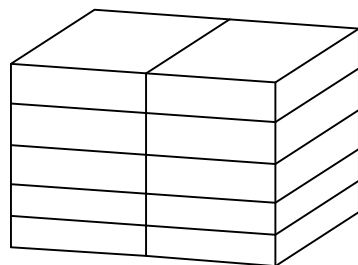


Size:(L)228*(W)198*(H)38mm

防水袋



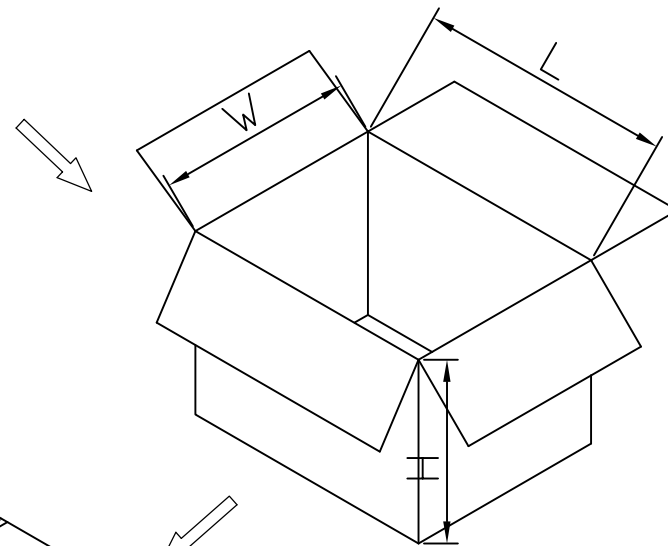
1-5 入箱前套一防水袋;



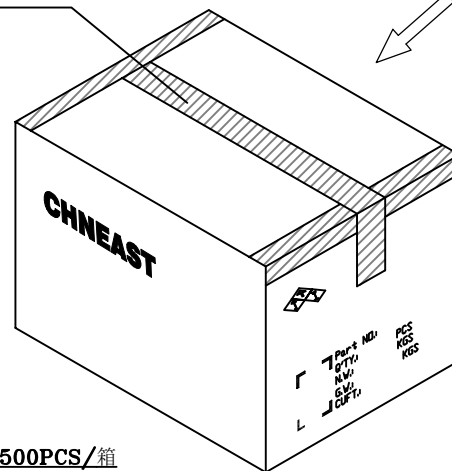
1-4 每叠摆放2盒共5层;

1-6 每箱放10盒产品 (5层*2盒/层);
2500PCS/箱

Size:(L)425*(W)252*(H)210mm



TAPE



2500PCS/箱

250	10	2500
PCS/ Box	Box/ CARTON	PCS/ CARTON

1-7 纸箱开口处以透明胶带粘合;

1-8 若有未装满之尾数箱,
必须以填充物塞满;

1-9 纸箱侧唛贴上标签

TOLERANCE		深圳市东方御业科技有限公司		TITLE: PCIe 64P包装示意图			
LINEAR	ANGLES	www.dfyyconn.com TEL:0755-27155560		PART NO.:			
X.±0.50	X°.±2.0°			DWG NO.: RED-EB-006			
.X ±0.30	.X° ±1.0°	APPD:	DRWN: Rocky	UNITS	SCALE	SHEET	REV
.XX ±0.20	.XX° ±	CHKD:	DATE: 2012/07/24	MM	1:1	1 OF 1	A/0
.XXX ±0.05	.XXX° ±						