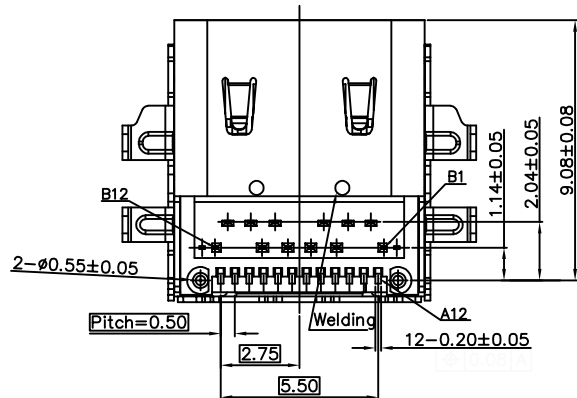
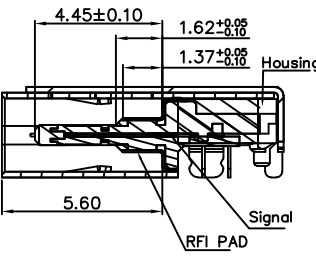
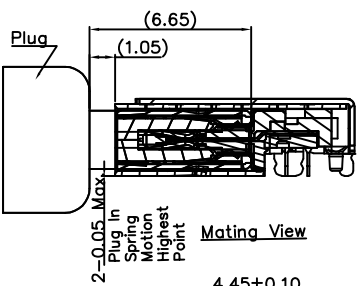
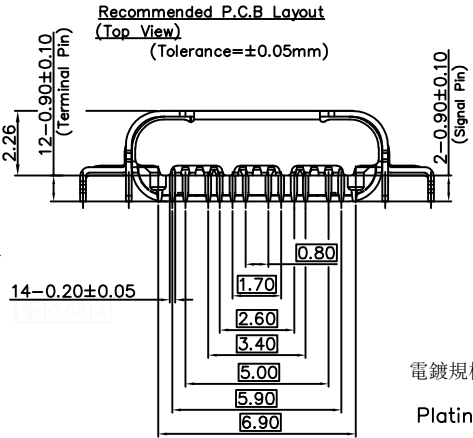
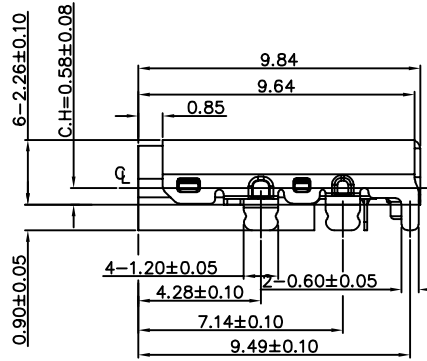
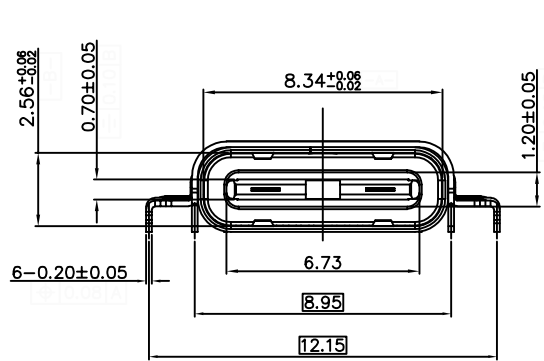
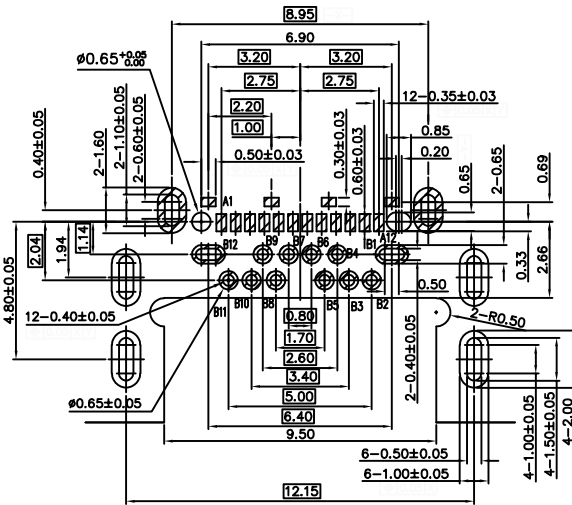
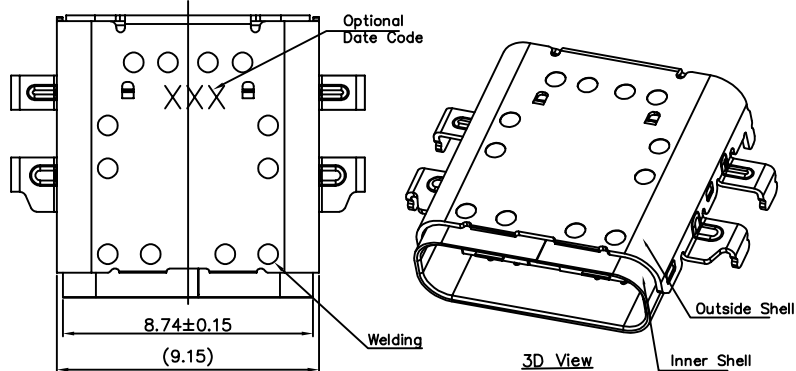


REV.	ECN NO.	MODIFY MATTER	DATE	APPROVED
A		RELEASE TO PRODUCTION		

Notes:

- Material Specification
 - 1-1.Shell: Stainless steel (SUS301) T=0.20mm.
 - 1-2.Middle Plate: Stainless steel (SUS301).
 - 1-3.RFI PAD: Stainless steel (SUS301).
 - 1-4.Housing: LCP +30%G.F. UL94-V0 Black.
 - 1-5.Terminal: Copper Alloy T=0.10mm.
- Plating Specification
 - 2-1.Contact: see P/N.
 - 2-2.Shell: Nickel Plated.
- Mechanical Performance
 - 3-1.Insertion force: 5N~20N.
 - 3-2.Withdrawal force: 8N~20N (initial), after 1000 mating cycles 6N~20N.
 - 3-3.Durability: 10,000 cycles.
- Electrical Performance
 - 4-1.Current Rating: 5A max.
 - 4-2.LLCL: contact 40mΩ max.(initial).
 - 4-3.Insulation resistance: untested 100MΩ min.
 - 4-4.Dielectric withstand voltage: 100V/AC.
- IR Reflow:

The peak temperature on board shall be maintained for 10 second at 260±5°C.
- Operating temperature range: -55°C~105°C.
- All parts RoHS and Reach compliant.



電鍍規格: EAST-USBCF24P058A1R

Plating _____

A-gold flash in contact area/
80u" Tin in solder area.

B-03u" gold in contact area/
80u" Tin in solder area.

C-05u" gold in contact area/
80u" Tin in solder area.

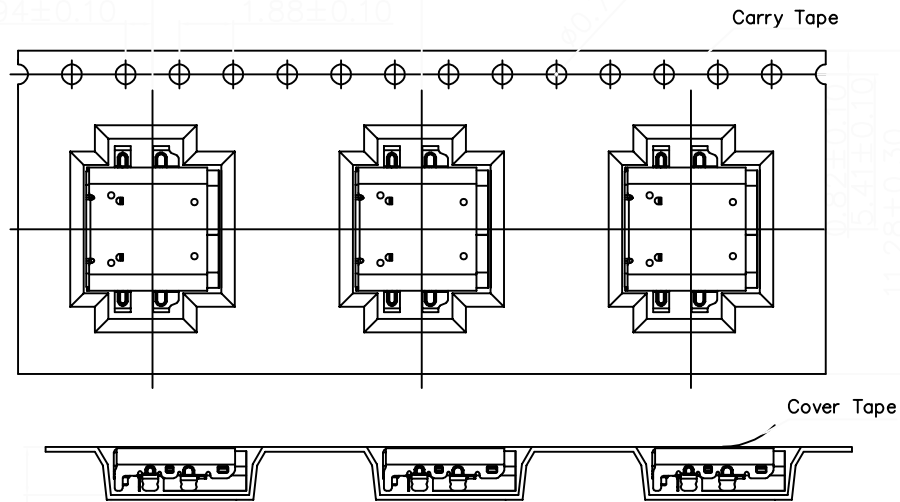
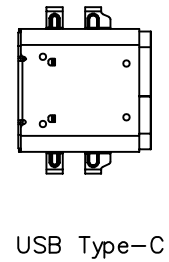
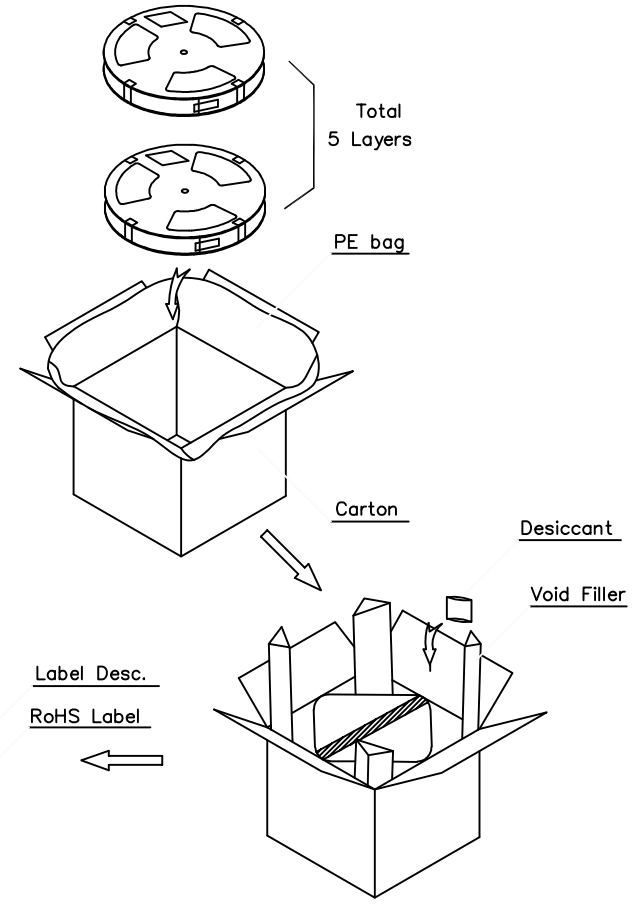
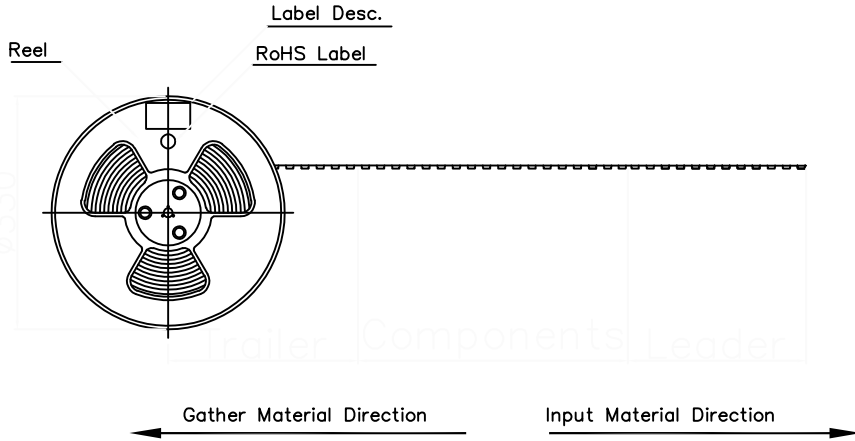
D-15u" gold in contact area/
80u" Tin in solder area.

E-30u" gold in contact area/
80u" Tin in solder area.

Pin Assignments			
Pin	Name	Pin	Name
A1	GND	B12	GND
A2	SSTxp1	B11	SSRxp1
A3	SSTxn1	B10	SSRxn1
A4	VBUS	B9	VBUS
A5	CC1	B8	SBU2
A6	Dp1	B7	Dn2
A7	Dn1	B6	Dp2
A8	SBU1	B5	CC2
A9	VBUS	B4	VBUS
A10	SSRxn2	B3	SSTxn2
A11	SSRxp2	B2	SSTxp2
A12	GND	B1	GND

TOLERANCES UNLESS OTHERWISE SPECIFIED: X. --- X.X ± 0.38 X.XX ± 0.25 X.XXX ± 0.20 Angle ± 3°	CUSTOMER COPY	深圳市东方御业科技有限公司 WWW.DFYCONN.COM TEL:0755-27155560	
	DRAWN: Qinkx	2017/09/10	TITL: USB Type-C 24Pin Mid-Mount CH=0.58mm (RoHS)
THESE DRAWING AND SPECIFICATION ARE THE PROPERTY OF Shenzhen Dongfangyue ELECTRONIC CO., LTD.. SHALL NOT BE REPRODUCED.	CHECKED: Chenl	2017/09/10	PART NO: EAST-USBCF24P058A1R
	APPROVED: Chenl	2017/09/10	UNIT: mm
		SCALE: N/A	SHEEL: REV.

REV.	ECN NO.	MODIFY MATTER	DATE	APPROVED
A		RELEASE TO PRODUCTION		



- Notes:
- 1.The start and end of each reel, based on the actual quantity, reserved 10~20 Pcs space,
Peel speed: 250~300mm/min.,
 - 2.Cover tape and carry tape peel: 10gf~130gf, peel deg.:165°~175°,
 - 3.Carton size: 350*350*155mm. K=K,
 - 4.Q'ty: 1,000 pcs/Reel. 5 Reels/Carton, Total 5,000 pcs/Carton.

TOLERANCES UNLESS OTHERWISE SPECIFIED: X. --- X.X ± 0.38 X.XX ± 0.25 X.XXX ± 0.20 Angle ± 3°	COSTOMER COPY		深圳市东方御业科技有限公司 WWW.DFYCONN.COM TEL:0755-27155560		
	DRAWN: Qinkx	2017/09/10	TITAL: USB Type-C 24Pin Mid-Mount CH=0.58mm (RoHS)		
THESE DRAWING AND SPECIFICATION ARE THE PROPERTY OF Shenzhen Dongfangyuye ELECTRONIC CO., LTD.. SHALL NOT BE REPRODUCED.	CHECKED: Chenl	2017/09/10	PART NO: EAST-USBCF24P058A1R		
	APPROVED: Chenl	2017/09/10	UNIT: mm	SCALE: N/A	SHEET: REV.

www.dfyconn.com