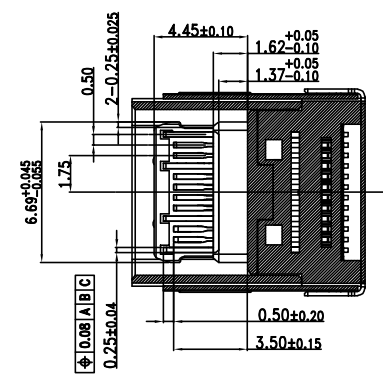
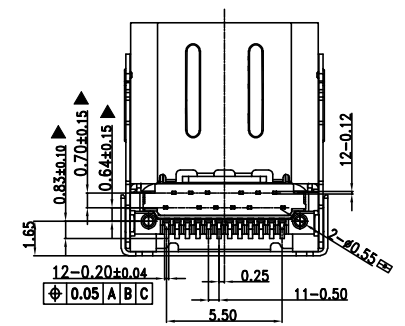
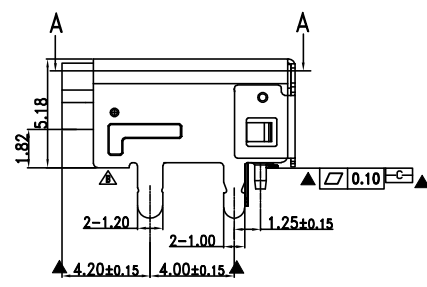
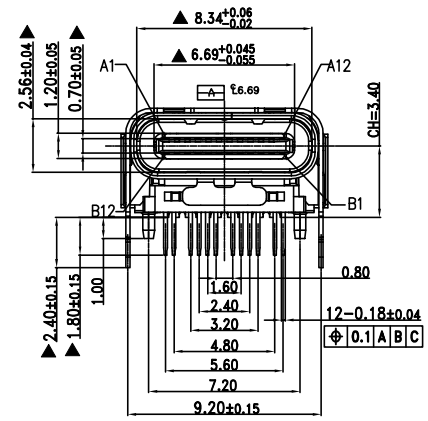
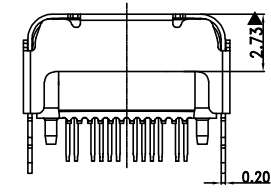
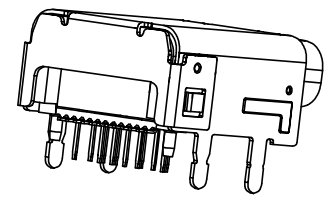
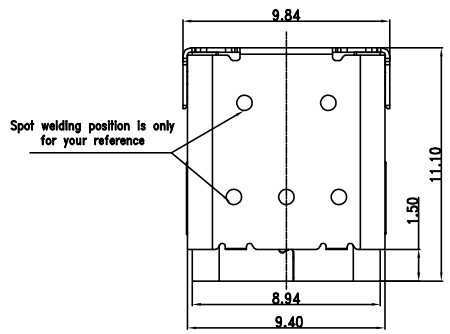


REV.	ECN NO.	MODIFY	MATTER	DATE	APPROVED
A		RELEASE TO PRODUCTION			



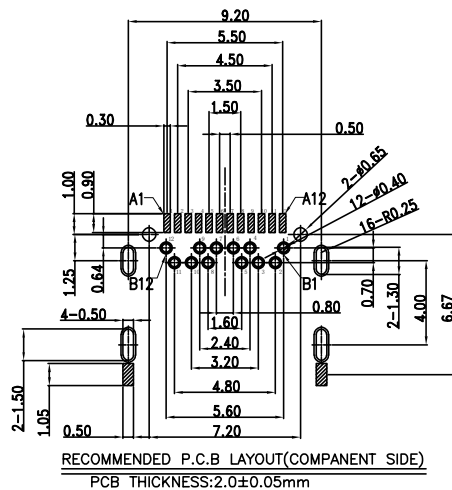
SECTION A-A

- ELECTRICAL: 5A Max .
VOLTAGE: 5VAC MAX
WITHSTANDING VOLTAGE: 100V AC.
CONTACT RESISTANCE: 40mΩ MAX.
INSULATION RESISTANCE: 100MΩ MIN.
- MECHANICAL:
INSERTION: 5~20N.
EXTRACTION: 8~20N.
DURABILITY: 10000 CYCLES
- ENVIRONMENTAL
TEMPERATURE RANGE -55°C ~ +85°C
- 标注“▲”符号的尺寸为重点检验尺寸;
- MATERIAL LIST:

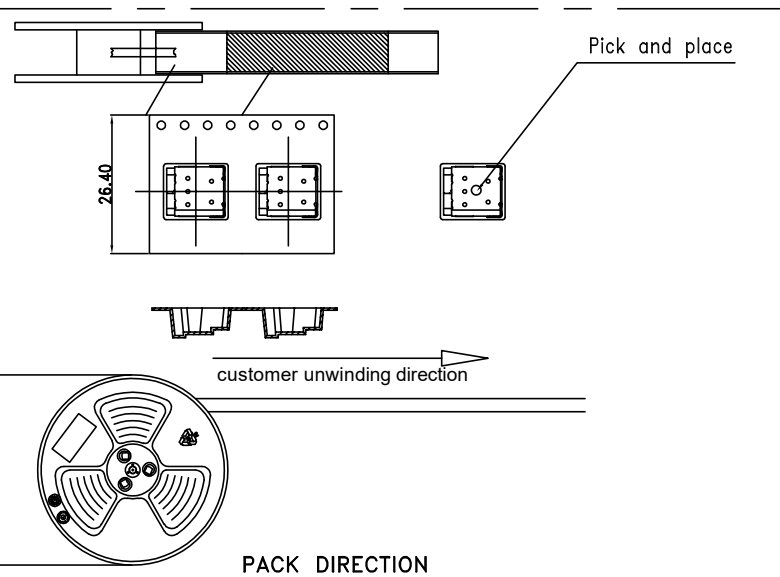
No.	PART NAME	QTY	MATERIAL	REMARK
6	EMC	1	STAINLESS STEEL	NI PLATED
5	MID PLATE	1	STAINLESS STEEL	
4	OUT SHELL	1	STAINLESS STEEL	NI PLATED
3	INNER SHELL	1	STAINLESS STEEL	NI PLATED
2	CONTACT	24	COPPER ALLOY	AU 3U PLATED
1	HOUSING	1	THERMOPLASTIC(LCP)	(UL 94V-0)

TOLERANCES UNLESS OTHERWISE SPECIFIED: X. X ± 0.38 X.XX ± 0.25 X.XXX ± 0.20 Angle ± 3°		COSTOMER COPY Qinxk		深圳市东方御业科技有限公司 WWW.DFYCONN.COM TEL:0755-27155560	
THESE DRAWING AND SPECIFICATION ARE THE PROPERTY OF Shenzhen Dongfangyue ELECTRONIC CO., LTD.. SHALL NOT BE REPRODUCED.		CHECKED: Chenl		TITIAL: USB TYPE CF 加高型 CH3.40 DIP+SMT 外壳尾部掏空 (RoHS)	
APPROVED: Chenl		2017/09/10		PART NO: EAST-UTC24PSD340-BR	
		2017/09/10		UNIT: mm	
				SCALE: N/A	
				SHEEL: REV.	

REV.	ECN NO.	MODIFY MATTER	DATE	APPROVED
A		RELEASE TO PRODUCTION		



Pin No	Signal Name	Mating Sequence	Pin No	Signal Name	Mating Sequence
A1	GND	First	B12	GND	First
A2	TX1+	Second	B11	RX1+	Second
A3	TX1-	Second	B10	RX1-	Second
A4	Vbus	First	B9	Vbus	First
A5	CC1	Second	B8	SBU2	Second
A6	D+	Second	B7	D-	Second
A7	D-	Second	B6	D+	Second
A8	SBU1	Second	B5	CC2	Second
A9	Vbus	First	B4	Vbus	First
A10	RX2-	Second	B3	TX2-	Second
A11	RX2+	Second	B2	TX2+	Second
A12	GND	First	B1	GND	First
SHELL	GND		SHELL	GND	



EAST-UTC24PSD340-BR

Plating

A-gold flash in contact area/
80u" Tin in solder area.
B-03u" gold in contact area/
80u" Tin in solder area.
C-05u" gold in contact area/
80u" Tin in solder area.
D-15u" gold in contact area/
80u" Tin in solder area.
E-30u" gold in contact area/
80u" Tin in solder area.

TOLERANCES UNLESS OTHERWISE SPECIFIED:

X	---
X.X	± 0.38
X.XX	± 0.25
X.XXX	± 0.20
Angle	± 3°

THESE DRAWING AND SPECIFICATION ARE THE PROPERTY OF Shenzhen Dongfangyue ELECTRONIC CO., LTD.. SHALL NOT BE REPRODUCED.

COSTOMER COPY		深圳市东方御业科技有限公司 WWW.DFYCONN.COM TEL:0755-27155560	
DRAWN: Qinkx	2017/09/10	TITIAL: USB TYPE CF 加高型 CH3.40 DIP+SMT 外壳尾部掏空 (RoHS)	
CHECKED: Chenl	2017/09/10	PART NO: EAST-UTC24PSD340-BR	
APPROVED: Chenl	2017/09/10	UNIT: mm	SCALE: N/A
		SHEEL:	REV.

www.dfyconn.com