

REV.	ECN NO.	MODIFY MATTER	DATE	APPROVED
A		RELEASE TO PRODUCTION		



NOTES:

1.MECHANICAL:

MATING: 35N MAX.
 WITHDRAWAL: 10N MIN.
 DURABILITY: 1500 CYCLES OF COPPER ALLOY,
 5000 CYCLES OF SUS

2.ELECTRICAL:

CURRENT: 1.8A Maximum for pin1 and pin4,
 and 0.25A for all the other pin.
 VOLTAGE: 30 Vac (rms)
 WITHSTANDING VOLTAGE: 100V AC
 CONTACT RESISTANCE:
 30 mΩ (Max) initial for pin1 and pin4.
 50 mΩ (Max) initial for all other contacts.
 Maximum change of +10mΩ after environmental stresses.
 Measure at 20 mV (Max) open circuit at 100 mA.
 DIELECTRIC WITHSTANDING VOLTAGE: 100V AC(RMS)
 INSULATION RESISTANCE: 100MΩ MIN.
 3.ENVIRONMENTAL
 TEMPERATURE RANGE -55°C ~ +85°C

EAST-USB226X1021

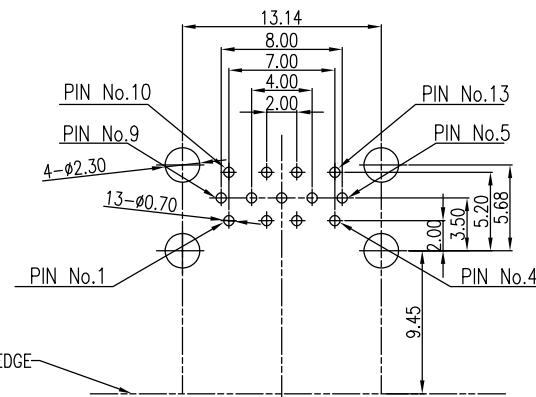
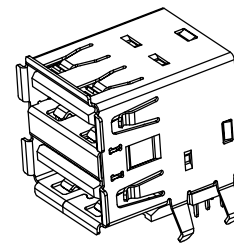
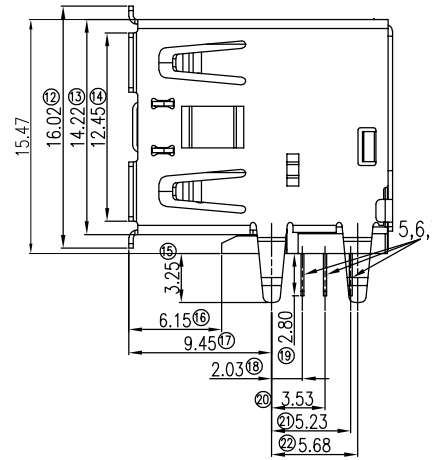
Shell Material
 SUS

COLOR STYLE

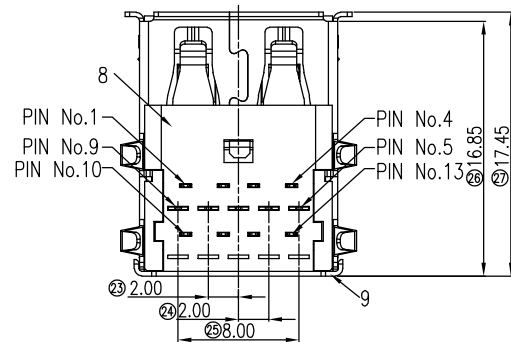
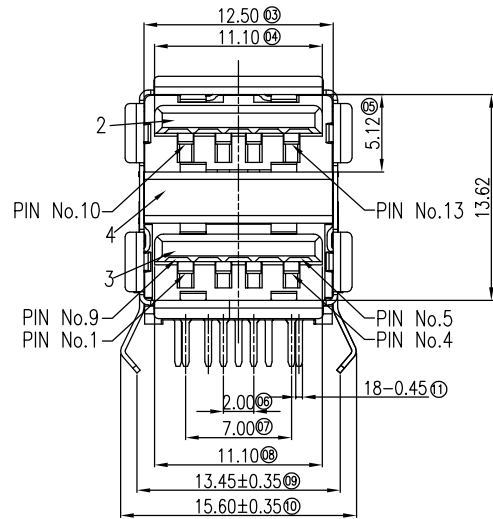
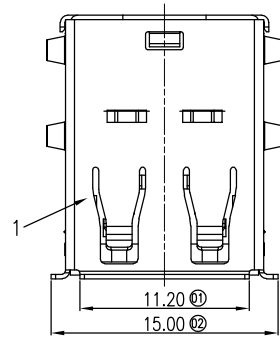
1: ALL BLACK PBT
 2: ALL BLUE PBT
 A: UPPER-BLACK, LOWER-BLUE PBT
 D: UPPER-BLUE, LOWER-BLACK PBT

Pin Number	Signal Name	Pin Number	Signal Name
1	VBUS	5	SSRX-
2	D-	6	SSRX+
3	D+	7	GND
4	GND	8	SSTX-
Shell	Shield	9	SSRT+

TOLERANCES UNLESS OTHERWISE SPECIFIED: X. --- X.X ± 0.38 X.XX ± 0.25 X.XXX ± 0.20 Angle ± 3°		COSTOMER COPY		深圳市东方御业科技有限公司 WWW.DFYCONN.COM TEL:0755-27155560	
DRAWN: Qinkx		2017/09/10		TITL: USB 2.0/3.0 AF 90° 双层 DIP 弯脚PBT (RoHS)	
CHECKED: Chenl		2017/09/10		PART NO: EAST-USB226X1021	
APPROVED: Chenl		2017/09/10		UNIT: mm	SCALE: N/A
THESE DRAWING AND SPECIFICATION ARE THE PROPERTY OF Shenzhen Dongfangyue ELECTRONIC CO., LTD.. SHALL NOT BE REPRODUCED.				SHEEL:	REV.



P.C.B. LAYOUT (COMPONENT SIDE)
 DEFAULT TOLERANCE: ±0.05

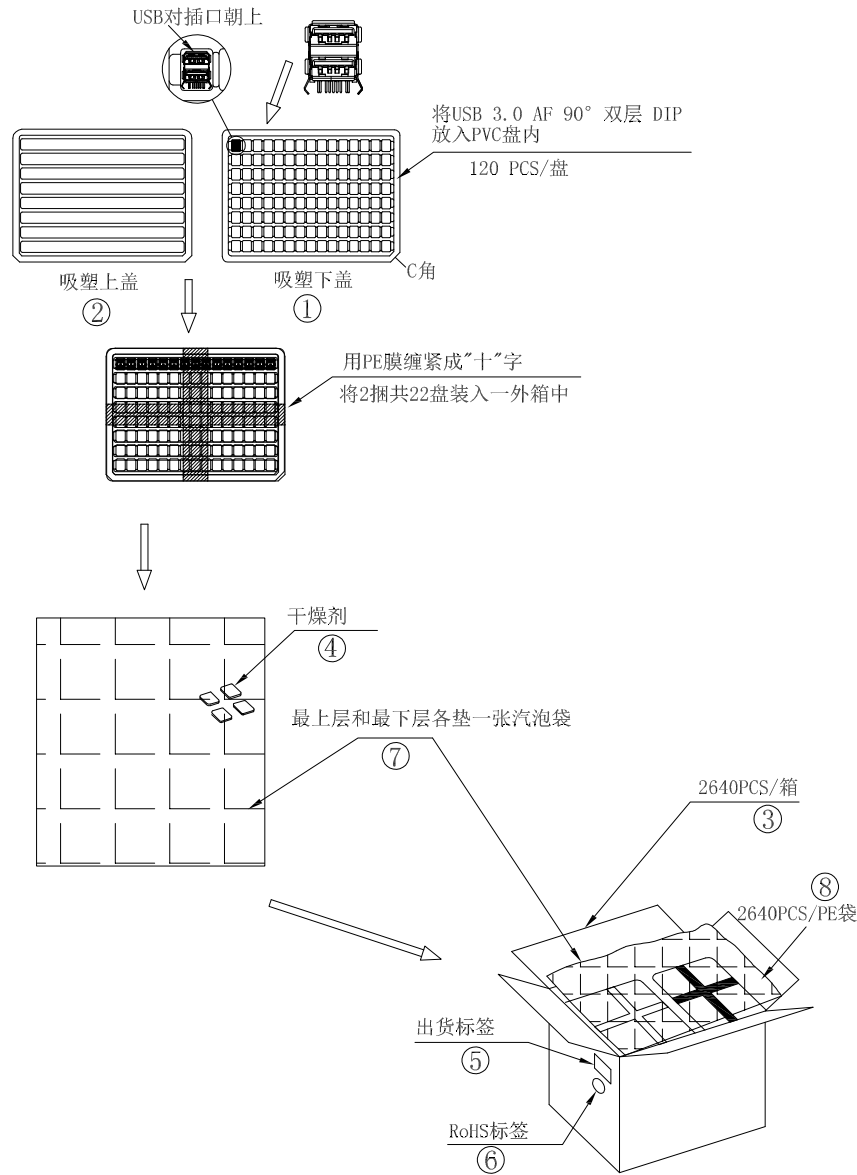


REV.	ECN NO.	MODIFY MATTER	DATE	APPROVED
A		RELEASE TO PRODUCTION		



包装说明:

- 120PCS/盘, (上面盖一盘盖);
- 11盘一捆(用PE胶膜成十字缠紧);
- 一般出货盘面不用贴标签;
- 若客户另有贴标签要求, 则按其定单注明之要求贴;
- 每箱装2640PCS产品, 并放1PCS 防水袋(上下各垫一层气泡袋, 放入4包干燥剂);
- 纸箱封盖后以封箱胶封箱, 外箱以封箱带绑固;
- 外箱贴上出货标签和大ROHS标签;
- 若客户另有贴标签要求, 则按其定单注明之要求贴;
- 本包装为出口包装, 国内包装无需套气泡袋及绑封箱带;
- 纸箱尺寸及印刷见包材图面
- 未满之零数箱需以缓冲材料填满;(总毛重供参考使用, 出货以实称为准)
- 本包装适装产品: USB 3.0 AF 90° 双层 DIP



⑧	PE袋	1/2640	PCS	L800*W750mm PE环保	
⑦	气泡袋	2/2640	PCS		
⑥	大ROHS标签	1/2640	PCS		
⑤	出货标签	1/2640	PCS		
④	干燥剂	4/2640	BAG		
③	外纸箱	1/2640	PCS	L475*W325*H260mm, K=K	
②	吸塑上盖	1/120	PCS		
①	吸塑下盖	120	22	PCS	
序号	包材名称	PCS/盘	盘/箱	单位	备注
		包装总数量			

TOLERANCES UNLESS OTHERWISE SPECIFIED: X. --- X.X ± 0.38 X.XX ± 0.25 X.XXX ± 0.20 Angle ± 3'	COSTOMER COPY		深圳市东方御业科技有限公司 WWW.DFYCONN.COM TEL:0755-27155560			
	DRAWN:	Qinkx	2017/09/10	TITAL: USB 2.0/3.0 AF 90° 双层 DIP 直脚 (RoHS)		
	CHECKED:	Chenl	2017/09/10	PART NO: EAST-USB226X1031		
	APPROVED:	Chenl	2017/09/10	UNIT: mm	SCALE: N/A	SHEEL: