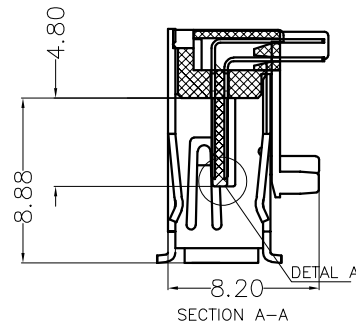
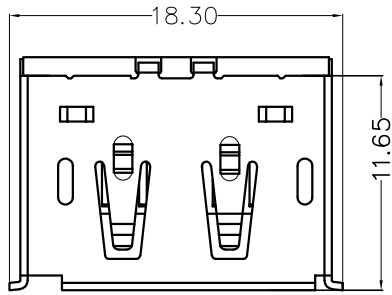
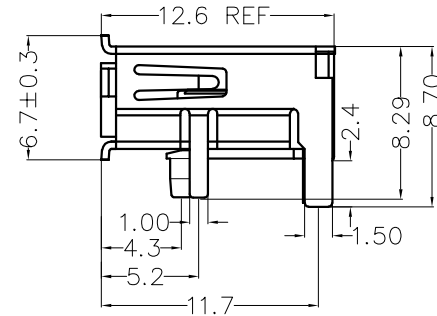
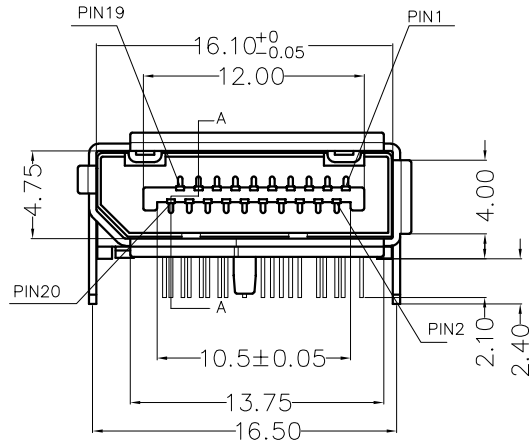


REV.	ECN NO.	MODIFY MATTER	DATE	APPROVED
A		RELEASE TO PRODUCTION		



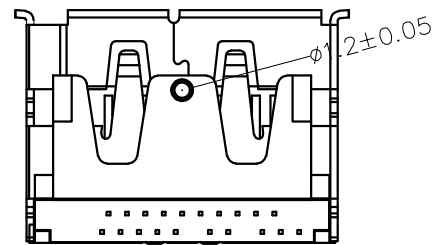
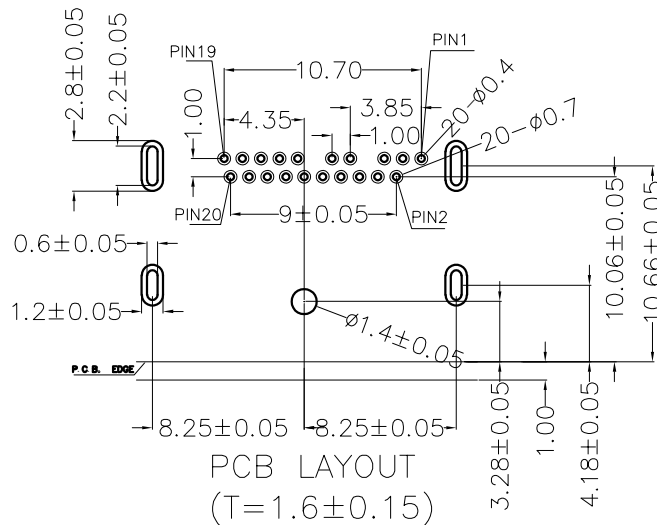
规格:

1. 插入力: 44.1N MAX.
2. 拔出力: 7~25N
3. 耐久性: 10000 CYCLES MIN.
4. 额定电流: 0.5A
5. 额定电压: 40V MAX
6. 耐电压: 500V AC MIN. (UNMATED)
300V AC MIN. (MATED)
7. 接触阻抗: 30mΩ MAX.
8. 绝缘电阻: 100MΩ MIN (UNMATED)
10MΩ MIN (MATED)
9. 工作温度: -20°C TO +85°C
10. 所用材质须符合RoHS要求



DisplayPort Connector Pin Assignment

Pin Number	Signal Type	Pin Name	Mating Row Contact Location
1	Out	ML_Lane0(p)	Top
2	GND	GND	Bottom
3	Out	ML_Lane0(n)	Top
4	Out	ML_Lane1(p)	Bottom
5	GND	GND	Top
6	Out	ML_Lane1(n)	Bottom
7	Out	ML_Lane2(p)	Top
8	GND	GND	Bottom
9	Out	ML_Lane2(n)	Top
10	Out	ML_Lane3(p)	Bottom
11	GND	GND	Top
12	Out	ML_Lane3(n)	Bottom
13	CONFIG	CONFIG1	Top
14	CONFIG	CONFIG2	Bottom
15	I/O	AUX_CH(p)	Top
16	GND	GND	Bottom
17	I/O	AUX_CH(n)	Top
18	In	Hot Plug Detect	Bottom
19	RTN	Return	Top
20	PWR Out	DP_PWR	Bottom



TOLERANCES UNLESS OTHERWISE SPECIFIED:
 X. ---
 X.X ± 0.38
 X.XX ± 0.25
 X.XXX ± 0.10
 Angle ±1°

CUSTOMER COPY
深圳市东方御业科技有限公司
 WWW.DFYCONN.COM TEL:0755-27155560

DRAWN: CHENLEI 2017/09/10
 CHECKED: CHENLEI 2017/09/10
 APPROVED: QINKAIXING 2017/09/10

TITLE: DISPLAY PORT 20PIN RECEPTACLE DIP (RoHS)
 PART NO: EAST-DP022010008
 UNIT: mm
 SCALE: N/A
 SHEEL: 1:1
 REV.