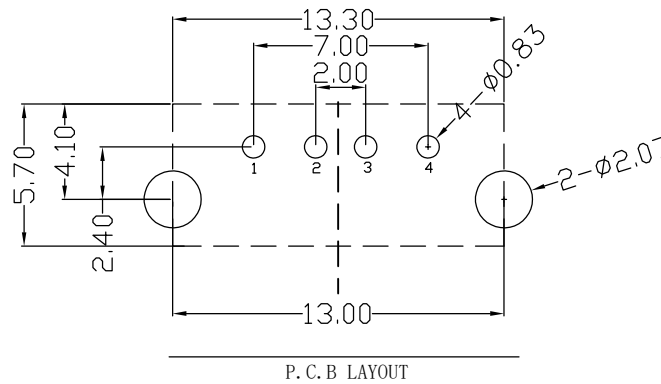
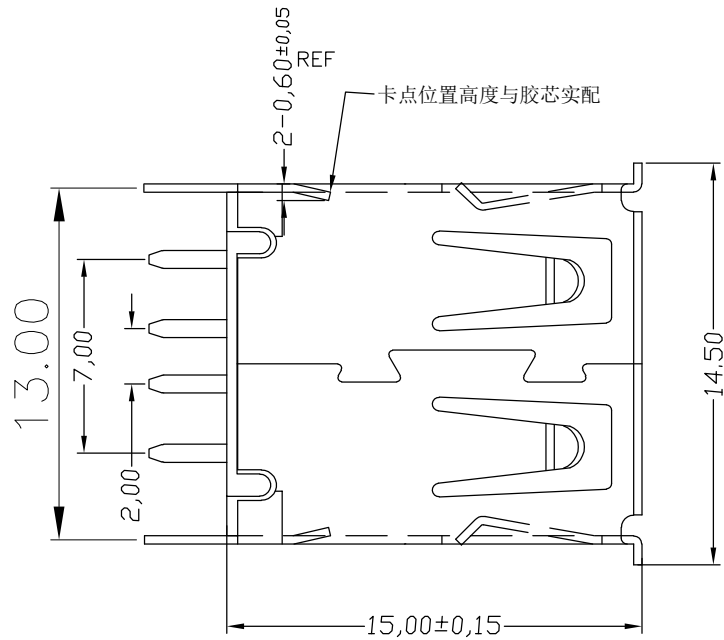
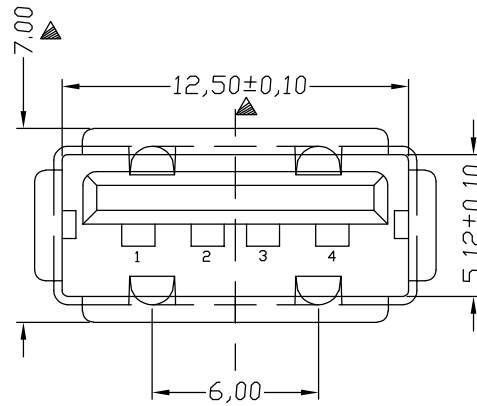
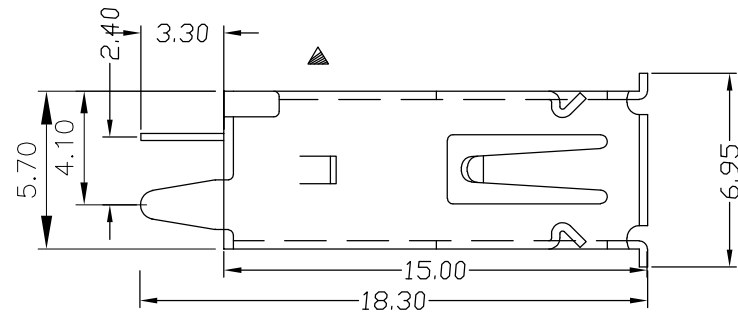


REV.	ECN NO.	MODIFY MATTER	DATE	APPROVED
A		RELEASE TO PRODUCTION		



产品规格说明: (specifications)

电器特性: (Electrical characteristics)

1. 接触阻抗: (Contact Resistance)

最大值30毫欧: (30 milliohms MAX)

2. 耐电压: (Dielectnic Withstanding Voitage:)

500 伏特交流电 (500V AC AT Sea Level)

3. 绝缘阻抗: (Insulation Resistance:)

最小值1000兆欧姆 (1000 mega-ohms MIN)

机械性能: (Mechanical:)

1. 插入力: (Insertion Force)

最大3.57kg (3.57kg MAX)

2. 拔出力: (Unmating Force:)

最少1.02kg (1.02 kg MIN)

EAST-USB2015X02X

颜色:

B: 黑色

W: 白色

外壳:

1: 铁壳

2: 铜壳

TOLERANCES UNLESS OTHERWISE SPECIFIED: X. --- X.X ± 0.38 X.XX ± 0.25 X.XXX ± 0.10 Angle ±1°	COSTOMER COPY		深圳市东方御业科技有限公司 WWW.DFYCONN.COM TEL:0755-27155560			
	DRAWN: CHENLEI	2017/09/10	TITL: USB180度弯脚插板(15.0) (RoHS)			
THESE DRAWING AND SPECIFICATION ARE THE PROPERTY OF Shenzhen Dongfangyuye ELECTRONIC CO., LTD. SHALL NOT BE REPRODUCED.	CHECKED: CHENLEI	2017/09/10	PART NO: EAST-USB2015X02X			
	APPROVED: QINKAIXING	2017/09/10	UNIT: mm	SCALE: N/A	SHEET: 1:1	REV.