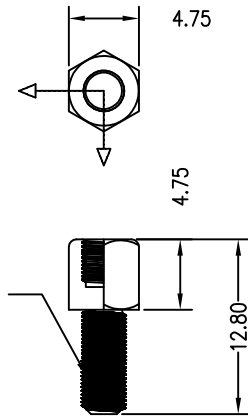
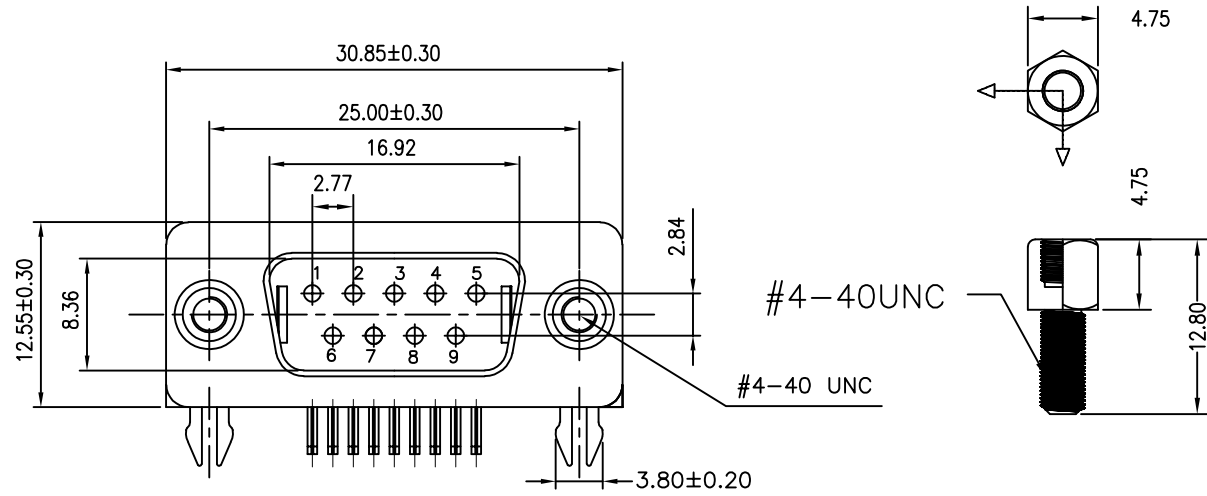
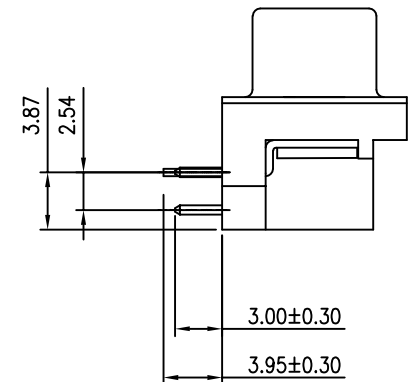
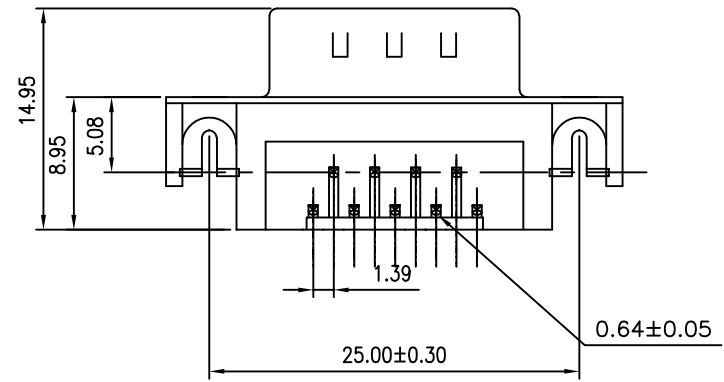


REV.	ECN NO.	MODIFY MATTER	DATE	APPROVED
A		RELEASE TO PRODUCTION		



NOTES :

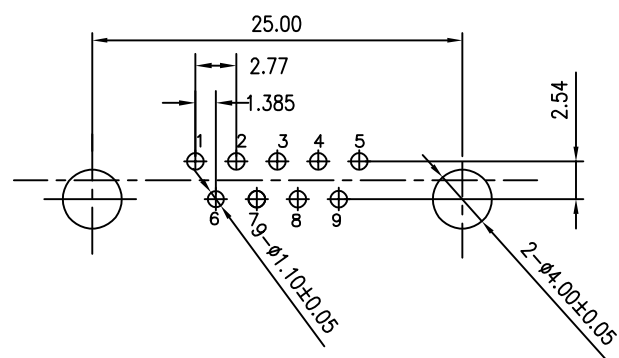
- MATERIAL :
  - HOUSING/COVER:PBT,UL94V-0,COLOR:GREEN.
  - CONTACTS : BRASS C2680 T=0.2mm
  - SHIELD:SPCC.
  - BOARDLOCK: SPCC.
  - SCREW:SPCC.
- FINISH:
  - CONTACT:
    - GOLD FLASH ON CONTACT AREA.
    - 100u" MIN.TIN PLATING ON SOLDER TAILS,
    - 50u" MIN. NICKEL UNDERPLATING OVERALL,
  - BOARDLOCK:
    - 100u" MIN.TIN PLATING ALL OVER.
    - 50u" MIN. NICKEL UNDERPLATING OVERALL,
  - SHIELD: 50u" MIN. NICKEL PLATED
  - SCREW: 50u" MIN. NICKEL PLATED
- SPECIFICATION:
  - CURRENT RATING:2 AMP.
  - INSULATION RESISTANCE:1000M OHM MIN AT500V DC.
  - DIELECTRIC WITHSTANDING VOLTAGE:500V AC FOR ONE MINUTE.
  - OPERATING TEMPERATURE-55°C+105°C.
  - CONTACT RESISTANCE:30m OHM MAX.



EAST-D-SUB-9RX508-X

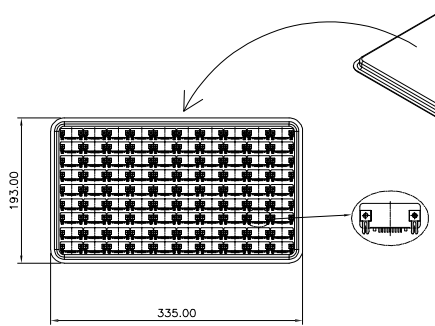
B: 黑色  
G: 绿色

1: 锁螺丝 4.8\*12.8  
2: 无螺丝  
3: 附螺丝  
4: 锁螺丝 5.8\*12.8

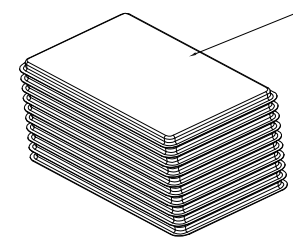


TOLERANCES UNLESS OTHERWISE SPECIFIED: X. --- X. X ± 0.38 X. XX ± 0.25 X. XXX ± 0.20 Angle ± 3°	CUSTOMER COPY	深圳市东方御业科技有限公司 Tel:0755-27155560 WWW.DFYCONN.COM			
	DRAWN: Qinkx	2017/09/10	TITL: D-SUB 9公 5.08 铆合型		
THESE DRAWING AND SPECIFICATION ARE THE PROPERTY OF Shenzhen Dongfangyue ELECTRONIC CO., LTD. SHALL NOT BE REPRODUCED.	CHECKED: Chenl	2017/09/10	PART NO: EAST-D-SUB-9RX508-X (RoHS)		
	APPROVED: Chenl	2017/09/10	UNIT: mm	SCALE: N/A	SHEEL: REV.

REV.	ECN NO.	MODIFY MATTER	DATE	APPROVED
A		RELEASE TO PRODUCTION		



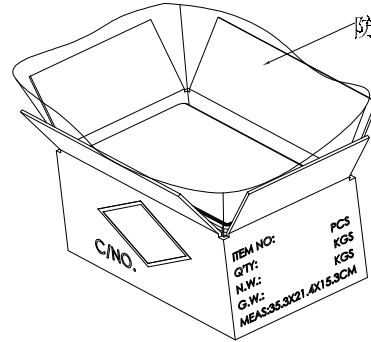
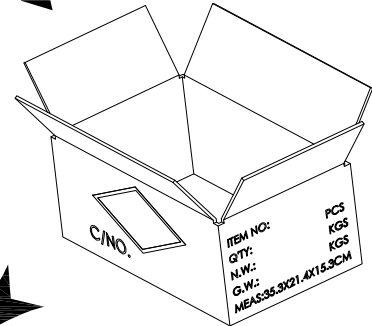
100 PCS/盒



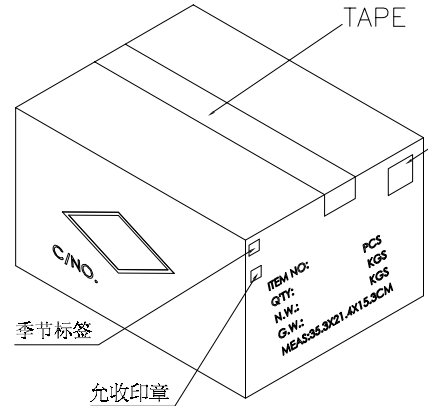
10盒/叠

要求:

1. 真空盒335\*193\*13.7, 不可有破损, 100PCS/盒。
2. 纸箱353\*214\*153, 材质: K=A, 不可有破损, 加装防水PE袋及干燥剂。  
(10\*100PCS/盒=1000PCS/箱)
3. 将装好产品的10个真空盒整齐叠放在一起, 共一叠1000PCS, 放入纸箱中, 用封箱胶纸封好纸箱。



防水袋



TAPE

贴标签处

季节标签

允收印章

TOLERANCES UNLESS OTHERWISE SPECIFIED: X. --- X. X ± 0.38 X. XX ± 0.25 X. XXX ± 0.20 Angle ± 3°	CUSTOMER COPY	深圳市东方御业科技有限公司 Tel:0755-2715560 WWW.DFYCONN.COM		
	DRAWN: Qinkx	2017/09/10	TITIAL: D-SUB 9PIN/15PIN包装图 (RoHS)	
THESE DRAWING AND SPECIFICATION ARE THE PROPERTY OF Shenzhen Dongfangyue ELECTRONIC CO., LTD. SHALL NOT BE REPRODUCED.	CHECKED: Chenl	2017/09/10	PART NO:	
	APPROVED: Chenl	2017/09/10	UNIT: mm	SCALE: N/A