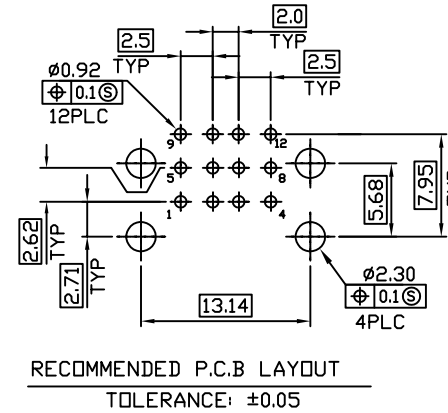
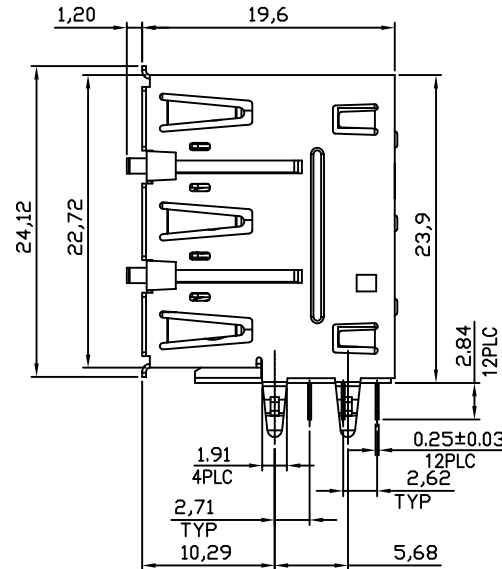
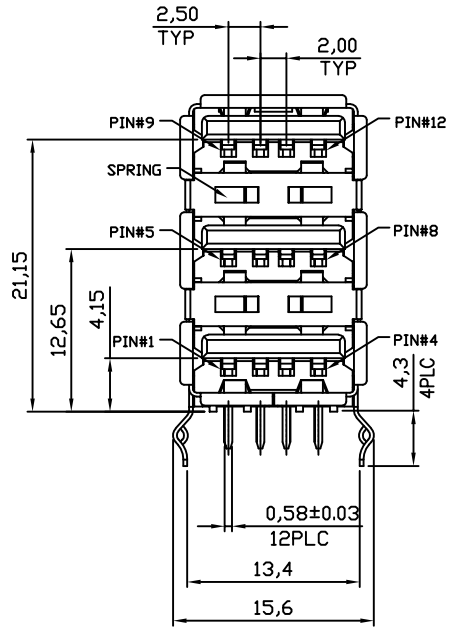
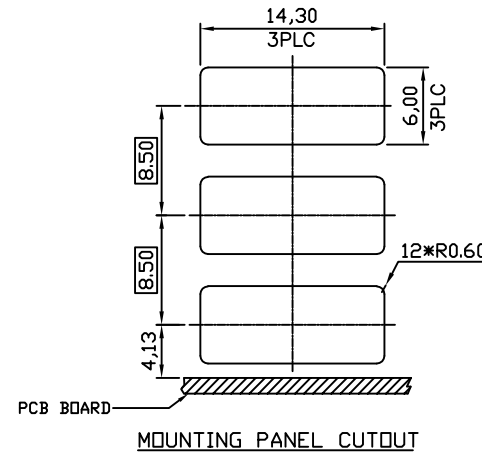
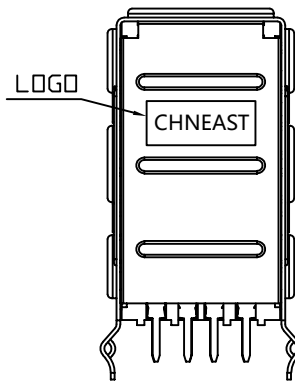
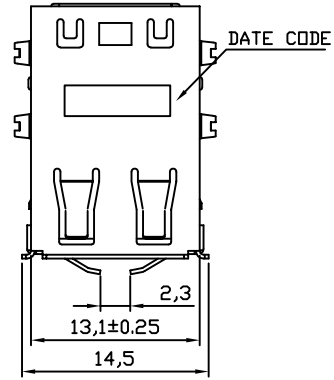


REV.	ECN NO.	MODIFY MATTER	DATE	APPROVED
A		RELEASE TO PRODUCTION		

NOTES:

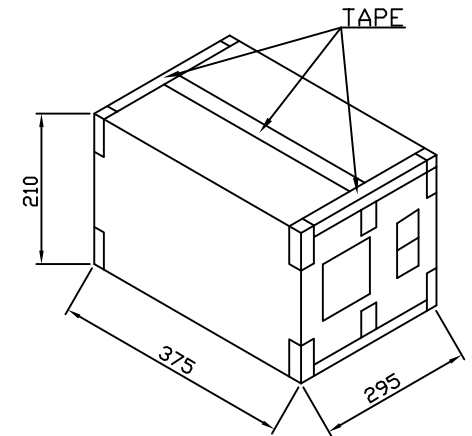
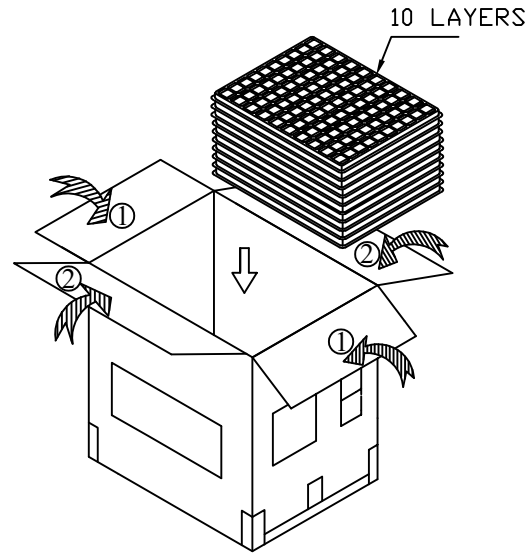
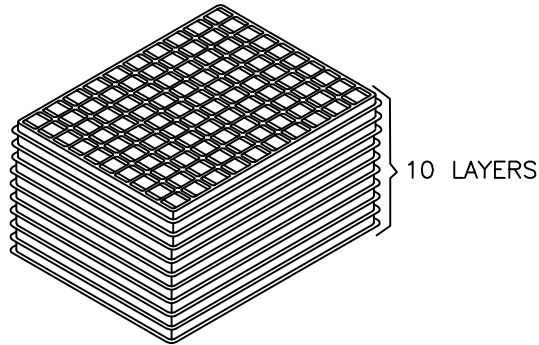
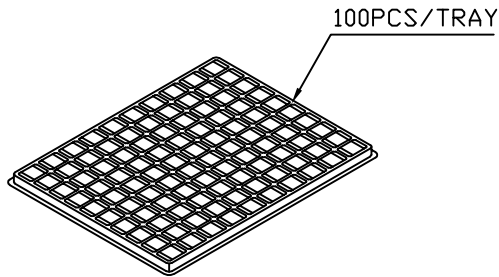
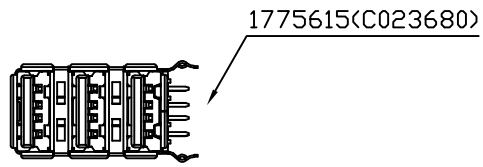
- MATERIAL:
 - HOUSING:LCP+30% G/F,COLOR:BLACK, UL94V-0;
 - CONTACTS:BRASS
 - SHELL : SK7
 - ISOLATED: SK7
 - REAR SHELL :SPCC
- FINISH:
 - CONTACT: GOLD(SEE TABLE) PLATING ON CONTACT AREA, 100μ" MIN. BRIGHT-TIN PLATING ON SOLDER TAIL AREA,50μ" MIN. NICKEL UNDERPLATING OVERALL,
 - SHELL: 100μ" MIN. NICKEL PLATED .
 - ISOLATED:SHELL: 100μ" MIN. NICKEL PLATED
 - REAR SHELL:100μ" MIN. NICKEL PLATED.
- ELECTRICAL CHARACTERISTICS:

CURRENT RATING: 0.5Amper Maximum
 VOLTAGE: 30V AC.
 CONTACT RETENTION FORCE:0.7KGfMINIMUM.
 CONTACT RESISTANCE: 30 MILLIOHMS MAXIMUM.
 INSULATION RESISTANCE: 1000MEGOHMS MINIMUM.
 DIELECTRIC WITHSTANDING VOLTAGE: 750V AC AT SEE LEVEL.
 TEMPERATURE: -55°C~85°C .



TOLERANCES UNLESS OTHERWISE SPECIFIED: X. --- X.X ± 0.38 X.XX ± 0.25 X.XXX ± 0.10 Angle ±1°	CUSTOMER COPY	深圳市东方御业科技有限公司 WWW.DFYCONN.COM TEL:0755-27155560	
	DRAWN: CHENLEI	2017/09/10	TITLE: TRIPLE STACKED USB, A TYPE R/A, RECEPTACLE, DIP CONNECTOR (RoHS)
THESE DRAWING AND SPECIFICATION ARE THE PROPERTY OF Shenzhen Dongfangyue ELECTRONIC CO., LTD., SHALL NOT BE REPRODUCED.	CHECKED: CHENLEI	2017/09/10	PART NO: EAST-USB23680-41
	APPROVED: QINKAIXING	2017/09/10	DRAWING NO:
	UNIT: mm	SCALE: N/A	SHEET: 1:1

REV.	ECN NO.	MODIFY MATTER	DATE	APPROVED
A		RELEASE TO PRODUCTION		



TOLERANCES UNLESS OTHERWISE SPECIFIED: X. --- X.X ± 0.38 X.XX ± 0.25 X.XXX ± 0.10 Angle ± 1°	COSTOMER COPY		深圳市东方御业科技有限公司 WWW.DFYCONN.COM TEL:0755-27155560			
	DRAWN:	CHENLEI	2017/09/10	TITIAL: TRIPLE STACKED USB, A TYPE R/A, RECEPTACLE, DIP ONNECTOR (RoHS)		
	CHECKED:	CHENLEI	2017/09/10	PART NO: EAST-USB23680-41 DRAWING NO:		
	APPROVED:	QINKAIXING	2017/09/10	UNIT: mm 	SCALE: N/A	SHEEL: 1:1

THESE DRAWING AND SPECIFICATION ARE THE PROPERTY OF Shenzhen Dongfangyuye ELECTRONIC CO., LTD. SHALL NOT BE REPRODUCED.