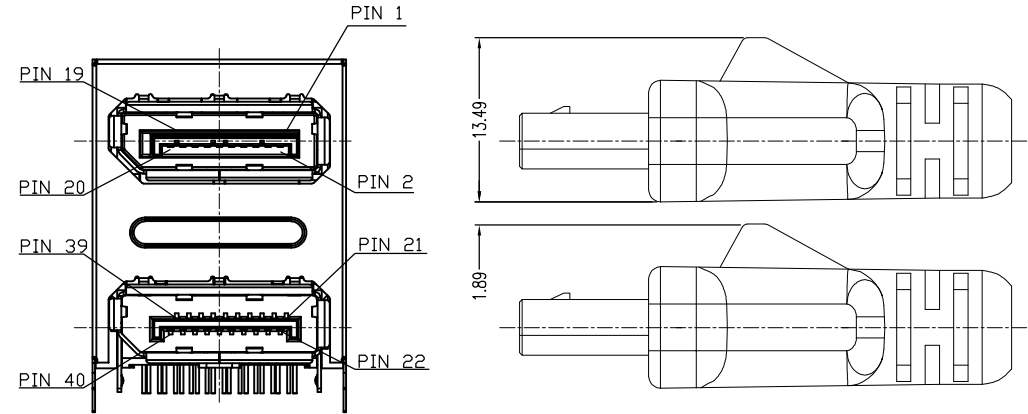
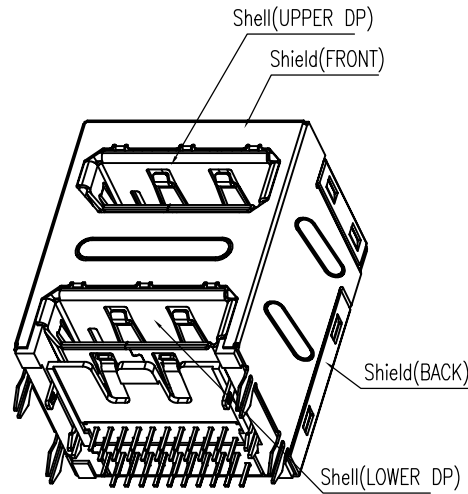




REV.	ECN NO.	MODIFY MATTER	DATE	APPROVED
A		RELEASE TO PRODUCTION		



PLUG AND CONNECTOR MATED CONDITION

DISPLAYPORT

PIN No.	SOURCE-SIDE PIN ASSIGNMENT	SINK-SIDE PIN ASSIGNMEN	PIN No.	SOURCE-SIDE PIN ASSIGNMENT	SINK-SIDE PIN ASSIGNMEN
P21	ML_Lane 0(p)	ML_Lane 3(n)	P1	ML_Lane 0(p)	ML_Lane 3(n)
P22	GND	GND	P2	GND	GND
P23	ML_Lane 0(n)	ML_Lane 3(p)	P3	ML_Lane 0(n)	ML_Lane 3(p)
P24	ML_Lane 1(p)	ML_Lane 2(n)	P4	ML_Lane 1(p)	ML_Lane 2(n)
P25	GND	GND	P5	GND	GND
P26	ML_Lane 1(n)	ML_Lane 2(p)	P6	ML_Lane 1(n)	ML_Lane 2(p)
P27	ML_Lane 2(p)	ML_Lane 1(n)	P7	ML_Lane 2(p)	ML_Lane 1(n)
P28	GND	GND	P8	GND	GND
P29	ML_Lane 2(n)	ML_Lane 1(p)	P9	ML_Lane 2(n)	ML_Lane 1(p)
P30	ML_Lane 3(p)	ML_Lane 0(n)	P10	ML_Lane 3(p)	ML_Lane 0(n)
P31	GND	GND	P11	GND	GND
P32	ML_Lane 3(n)	ML_Lane 0(p)	P12	ML_Lane 3(n)	ML_Lane 0(p)
P33	CONFIG1	CONFIG1	P13	CONFIG1	CONFIG1
P34	CONFIG2	CONFIG2	P14	CONFIG2	CONFIG2
P35	AUX CH (p)	AUX CH (p)	P15	AUX CH (p)	AUX CH (p)
P36	GND	GND	P16	GND	GND
P37	AUX CH (n)	AUX CH (n)	P17	AUX CH (n)	AUX CH (n)
P38	HOT PLUG DETECT	HOT PLUG DETE	P18	HOT PLUG DETECT	HOT PLUG DETE
P39	RETURN	RETURN	P19	RETURN	RETURN
P40	DP PWR	DP PWR	P20	DP PWR	DP PWR

TOLERANCES UNLESS OTHERWISE SPECIFIED:  
 X.                    ---  
 X.X                  ± 0.38  
 X.XX                ± 0.25  
 X.XXX              ± 0.20  
 Angle              ± 3°

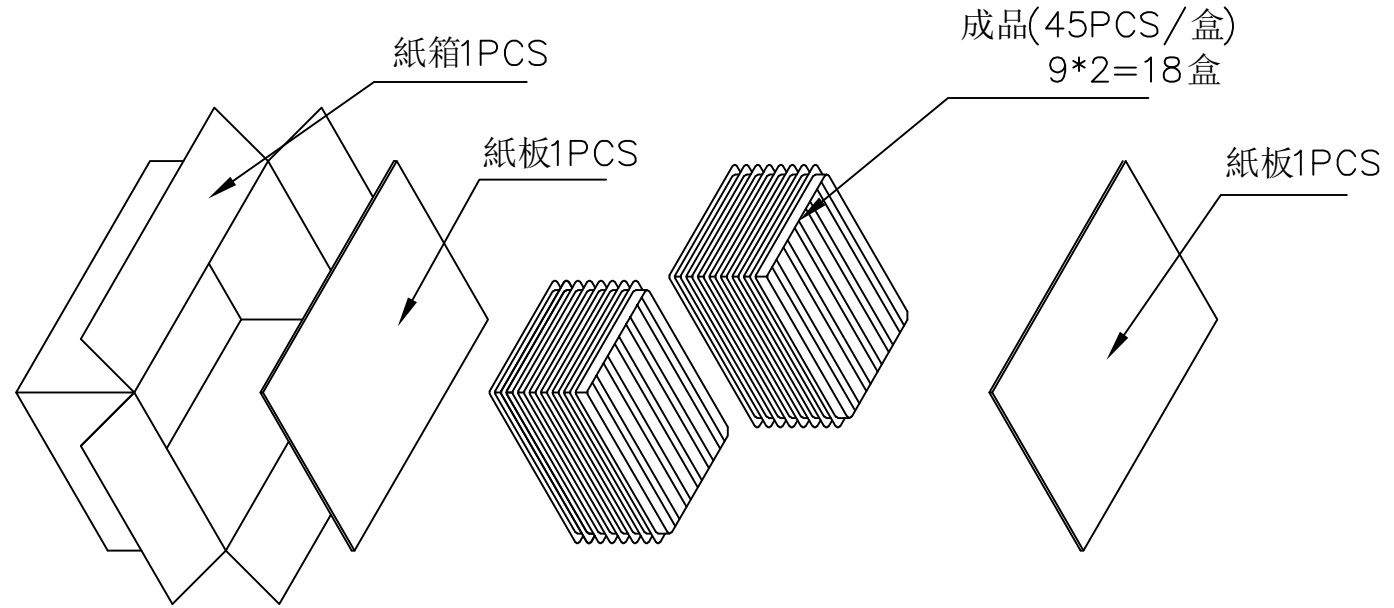
THESE DRAWING AND SPECIFICATION ARE THE PROPERTY OF Shenzhen Dongfangyue ELECTRONIC CO., LTD.. SHALL NOT BE REPRODUCED.

COSTUMER COPY		深圳市东方御业科技有限公司 WWW.DFYCONN.COM TEL:0755-27155560	
DRAWN: Qinx	2017/09/10	TITIAL: DISPLAYPORT母头双层全外壳 (RoHS)	
CHECKED: Chenl	2017/09/10	PART NO: EAST-DPDPH5A11AH	
APPROVED: Chenl	2017/09/10	UNIT: mm	SCALE: N/A
		SHEEL: 1/1	REV. A

www.dfyconn.com

REV.	ECN NO.	MODIFY MATTER	DATE	APPROVED
A		RELEASE TO PRODUCTION		

# 包裝圖



加厚紙箱: 45\*31\*22.5CM

EAST-DPDPH5A11AH	X.XX	X.XX	45*18=810
料 號	N.W: (KG)	G.W: (KG)	QT*Y(PCS)

TOLERANCES UNLESS OTHERWISE SPECIFIED: X. --- X.X ± 0.38 X.XX ± 0.25 X.XXX ± 0.20 Angle ± 3°	COSTOMER COPY		<b>深圳市东方御业科技有限公司</b> WWW.DFYCONN.COM TEL:0755-27155560			
	DRAWN: <b>Qinx</b>	2017/09/10	TITIAL: <b>DISPLAYPORT母头双层 包装图</b>			
	CHECKED: <b>Chen</b>	2017/09/10	PART NO: <b>EAST-DPDPH5A11AH</b>			
	APPROVED: <b>Chen</b>	2017/09/10	UNIT: mm 	SCALE: N/A	SHEEL: 1/1	REV. A