

REV.	ECN NO.	MODIFY MATTER	DATE	APPROVED
A		RELEASE TO PRODUCTION		

MATERIALS AND FINISH

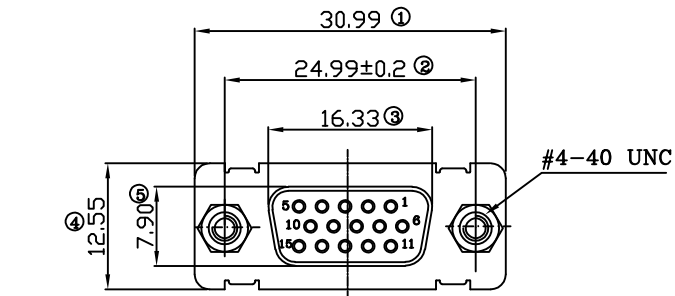
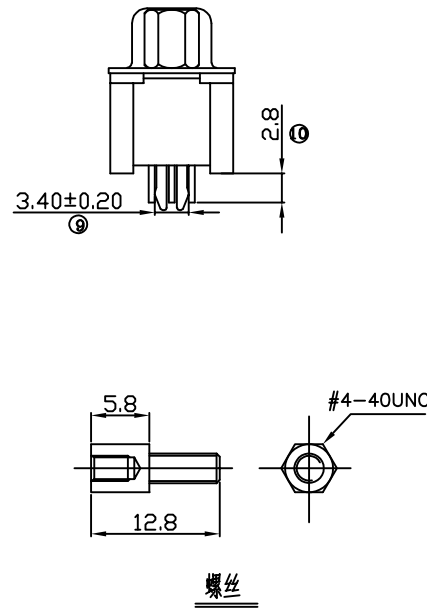
SHELL : STEEL MATERIAL, NI FINISHED
 INSULATOR : PBT THERMOPLASTIC, 30% GLASS
 FILLED, UL 94V-0 RATED, BLACK COLOR
 CONTACT MATERIAL : BRASS
 CONTACT FINISH : SELEVITE GOLD FINISHED
 GROUNDING BRACKET: STEEL MATERIAL , TIN FINISHED
 JACK SCREWS : STEEL MATERIAL , NICKEL FINISHED
 WITH #4-40 THREADED ASSEMBLED

ELECTRICAL CHARACTERISTICS

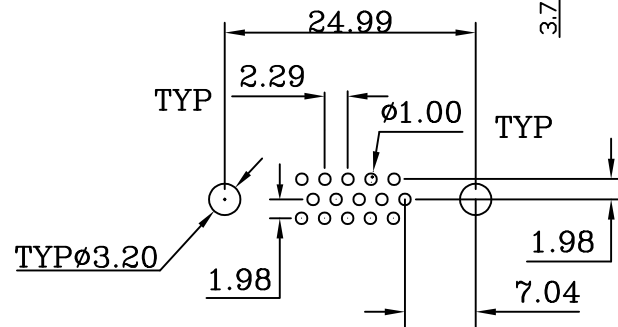
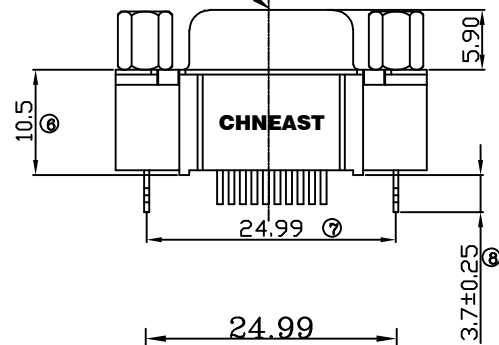
CONTACT CURRENT RATING : 5.0 AMPS
 CONTACT RESISTANCE : 30 MILLIOHMS MAX.
 DIELECTRIC WITHSTANDING VOLTAGE : 1000 V AC MIN.
 INSULATION RESISTANCE : 1000 MEGAOHMS MIN.
 TEMPERATURE RATING : -25°C ~ +85°C

EAST-HDR15F-105XX-X

- 1: 锁螺丝
- 2: 无螺丝
- B0: Black
- B1: Blue



MATING FACE



P.C.B LAYOUT

TOLERANCES UNLESS OTHERWISE SPECIFIED: X. --- X.X ± 0.38 X.XX ± 0.25 X.XXX ± 0.10 Angle ± 1°	COSTOMER COPY 深圳市东方御业科技有限公司 WWW.DFYCONN.COM TEL:0755-27155560		
	DRAWN: CHENLEI	2017/09/10	TITIAL: HDP 15P 母头180度10.5H 铆锁螺丝 (RoHS)
	CHECKED: CHENLEI	2017/09/10	PART NO: EAST-HDR15F-105XX-X
	APPROVED: QINKAIXING	2017/09/10	UNIT: mm SCALE: N/A SHEEL: 1:1 REV.