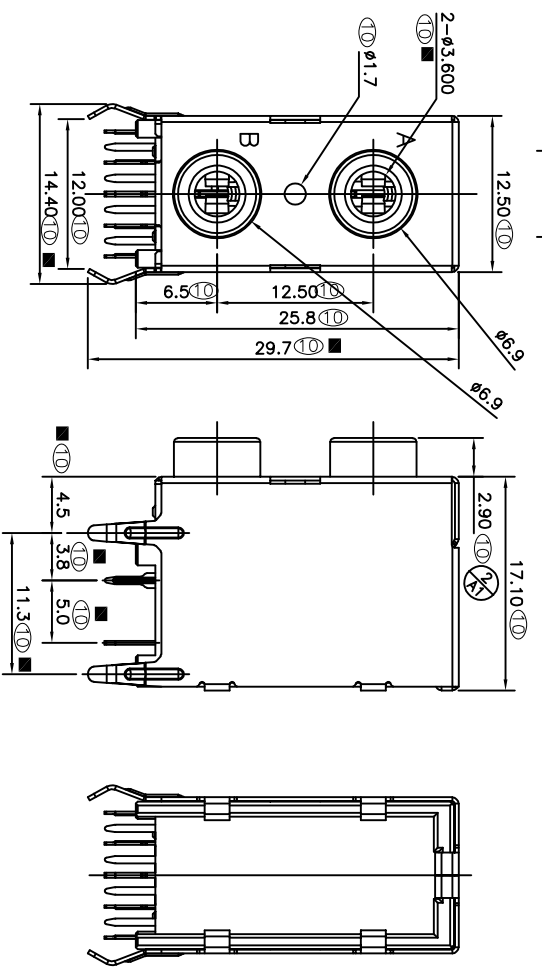
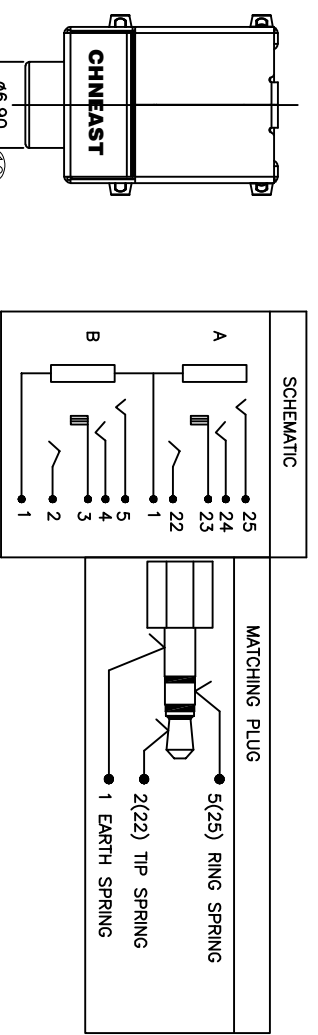
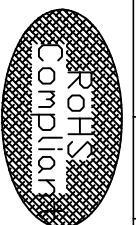


REV.	ECN NO.	MODIFY MATTER	DATE	APPROVED
A		RELEASE TO PRODUCTION		



ORDER INFORMATION:

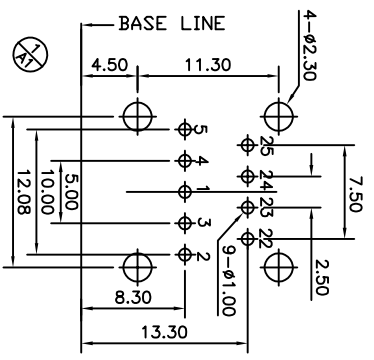
MARK 选项	PRODUCT P/N	A PORT	B PORT
无MARK	EAST-236S-10-S	GREEN	RED
无MARK	EAST-236S-11-S	RED	GREEN
无MARK	EAST-236S-12-S	BLACK	BLACK
无MARK	EAST-236S-13-S	RED	RED
无MARK	EAST-236S-14-S	GREEN	GREEN

TOLERANCES UNLESS OTHERWISE SPECIFIED:

X	± 0.38
X.X	± 0.25
X.XX	± 0.20
X.XXX	± 3'
Angle	± 3'

- MATERIALS & PLATING:**
 - 1.1 HOUSING&COVER: PB1+30%GF, UL94V-0, COLOR: BLACK, SLEEVE COVER: PA66+30%GF, UL94V-0, COLOR: ORDER INFORMATION:
 - 1.2 ALL CONTACT TERMINAL: COPPER ALLOY, 30u" Min, NICKEL PLATED OVERALL, 80u" Min, TIN PLATED OVER 30u" Min, NICKEL UNDERPLATED OVERALL.
 - 1.3 SHELL: SPCC(±0.30mm), 30u" Min, NICKEL PLATED OVERALL.
- SPECIFICATION:**
 - 2.1 CURRENT RATING: 1.0 AMP. MAX.
 - 2.2 DIELECTRIC WITHSTANDING: AC 500V/min R.M.S.
 - 2.3 INSULATION RESISTANCE: 1000MΩ min. AT 500V DC.
 - 2.4 CONTACT RESISTANCE: 50mΩ MAX.
 - 2.5 OPERATING TEMPERATURE: -25°C TO +85°C.
 - 2.6 DURABILITY: 1500 CYCLES.
 - 2.7 MATING FORCE: 5kgf MAX.
 - 2.8 UNMATING FORCE: 0.4~3.0kgf.
- NOTES:**
 - 3.1 ALL COMPONENTS ARE ROHS COMPLIANT.
 - 3.2 RESISTANCE TO SOLDERING HEAT: 265°C FOR 5 SECONDS, AND ONLY FOR WAVE SOLDERING PROCESS. (THE POST WILL BE MELT)

RECOMMENDED PCB LAYOUT(PCB THICKNESS: 1.6mm)
COMPONENT SIDE VIEW(TOLERANCE: ±0.05)



OTHERWISE SPECIFIED:

THESE DRAWING AND SPECIFICATION ARE THE PROPERTY OF SINO ELECTRONIC CO., LTD. SHALL NOT BE REPRODUCED.

RECOMMENDED PCB LAYOUT(PCB THICKNESS: 1.6mm)
COMPONENT SIDE VIEW(TOLERANCE: ±0.05)

深圳市东方御业科技有限公司
WWW.DFYCONN.COM TEL: 0755-27155560

PREPARED: Qinx
CHECKED: Chenl
APPROVED: Chenl

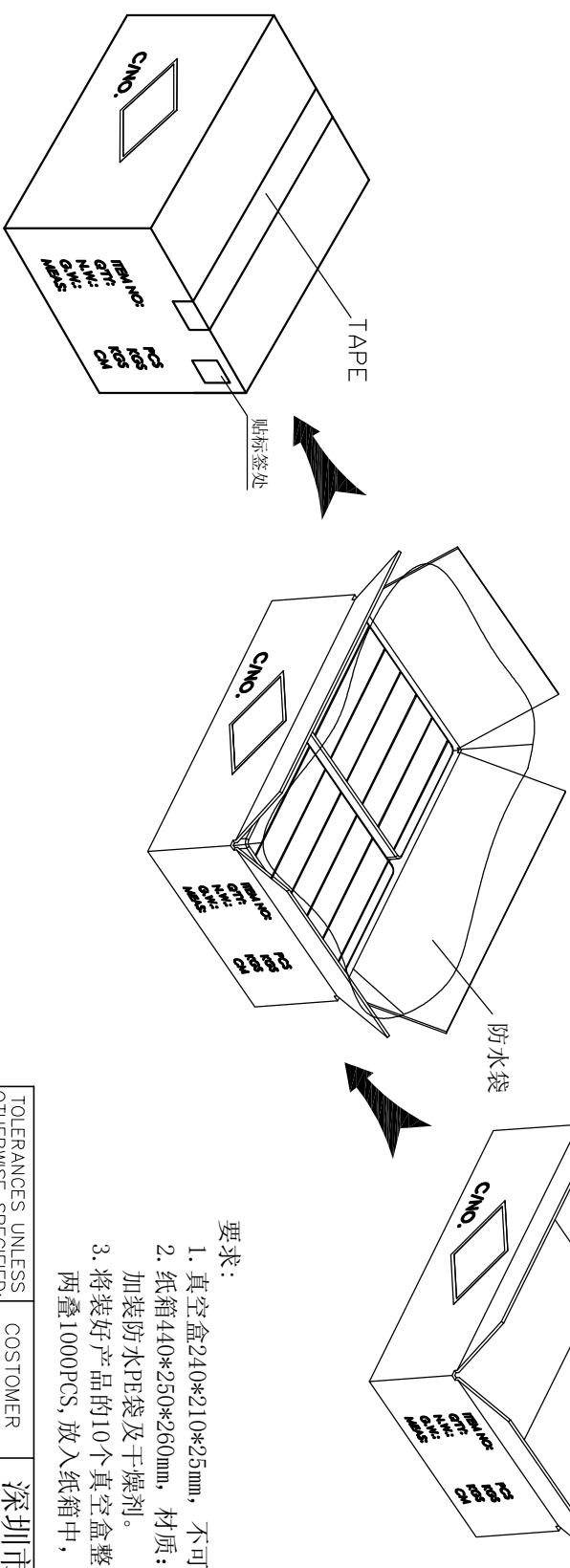
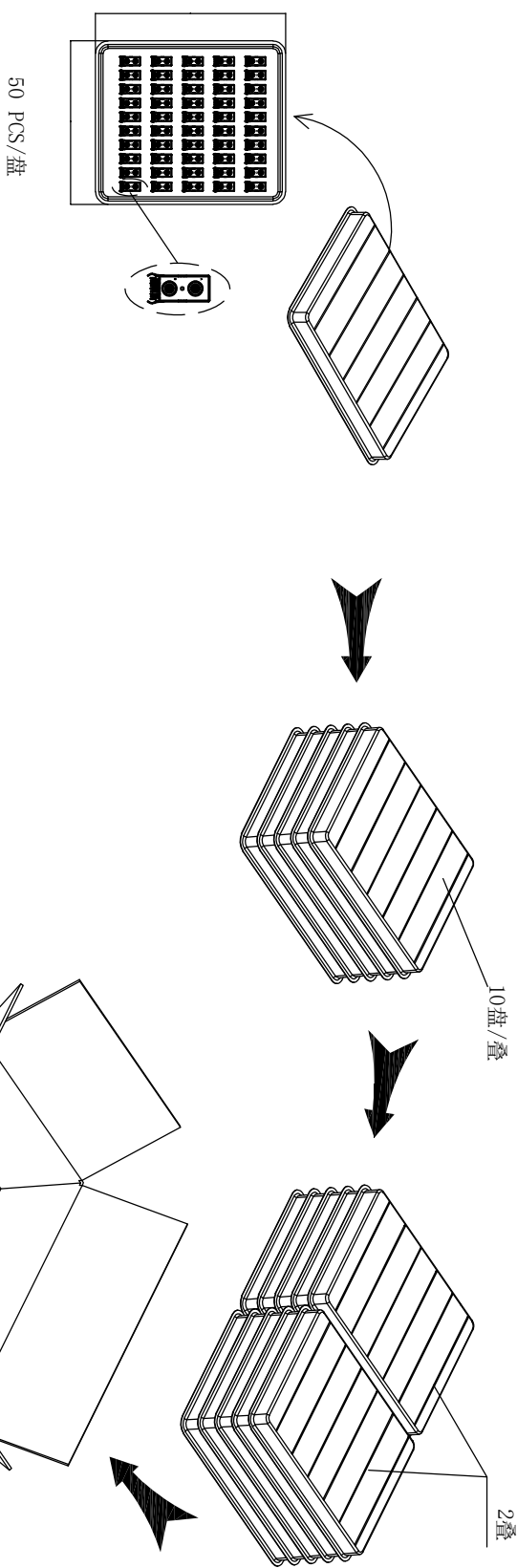
DATE: 2017/09/10

PART NO: EAST-236S-1X-S

SCALE: N/A

SHEET: REV.

REV. ECN NO.	MODIFY MATTER	DATE	APPROVED
A	RELEASE TO PRODUCTION		



- 要求:
1. 真空盒240*210*25mm, 不可有破损, 50PCS/盒。
 2. 纸箱440*250*260mm, 材质: K=A, 不可有破损, 加装防水PE袋及干燥剂。
 3. 将装好产品的10个真空盒整齐叠放在一起, 共两叠1000PCS, 放入纸箱中, 用封箱胶纸封好纸箱。

TOLERANCES UNLESS OTHERWISE SPECIFIED:		DRAWN: Qintex		CHECKED: Chenl		APPROVED: Chenl	
X	± 0.38	2017/09/10		2017/09/10		2017/09/10	
X	± 0.25	2017/09/10		2017/09/10		2017/09/10	
X	± 0.20	2017/09/10		2017/09/10		2017/09/10	
X	± 3°	2017/09/10		2017/09/10		2017/09/10	
THESE DRAWING AND SPECIFICATION ARE THE PROPERTY OF SHENZHEN DONGFANG YU YE ELECTRONIC CO., LTD. SHALL NOT BE REPRODUCED.							
COSTOMER COPY 深圳市东方御业科技有限公司 WWW.DFYCONN.COM TEL.:0755-27155560				PART NO: EAST-236S-1X-S 双层 AUDIO JACK R/A DIP TYPE (RHSD)			