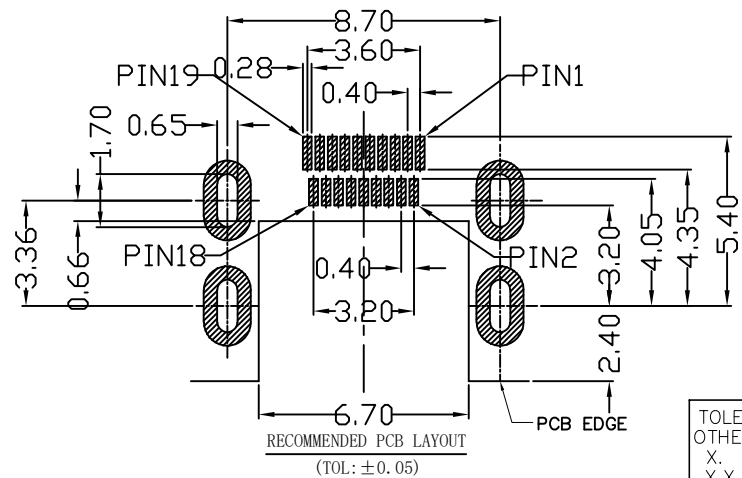
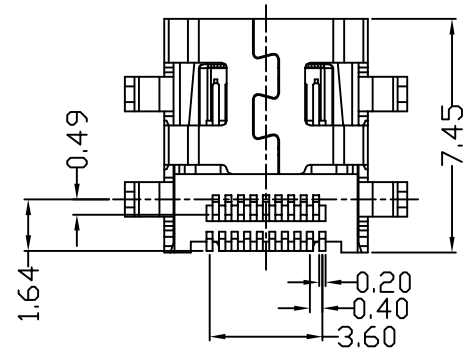
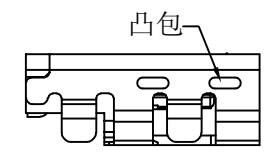
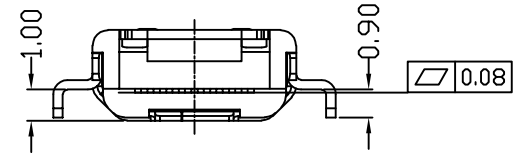
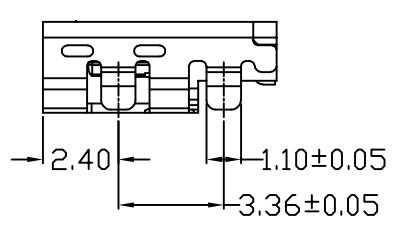
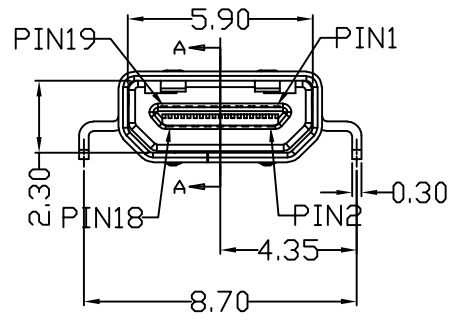
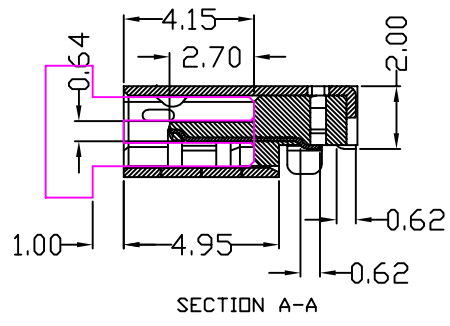
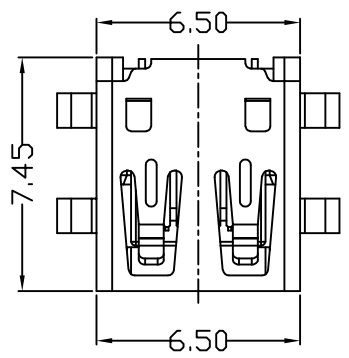


REV.	ECN NO.	MODIFY MATTER	DATE	APPROVED
A		RELEASE TO PRODUCTION		

NOTE:

- MATERIAL:
HOUSING: HIGH TEMPERATURE THERMO PLASTIC UL94V-0, BLACK.
CONTACTS: COPPER ALLOY.
SHELL: COPPER ALLOY
- FINISHED
CONTACTS: 1U" GOLD PLATED OVER ALL,
30U" MIN. NICKEL UNDERPLATING OVER ALL
SHIELD: 30U" MIN. NICKEL UNDERPLATING OVER ALL

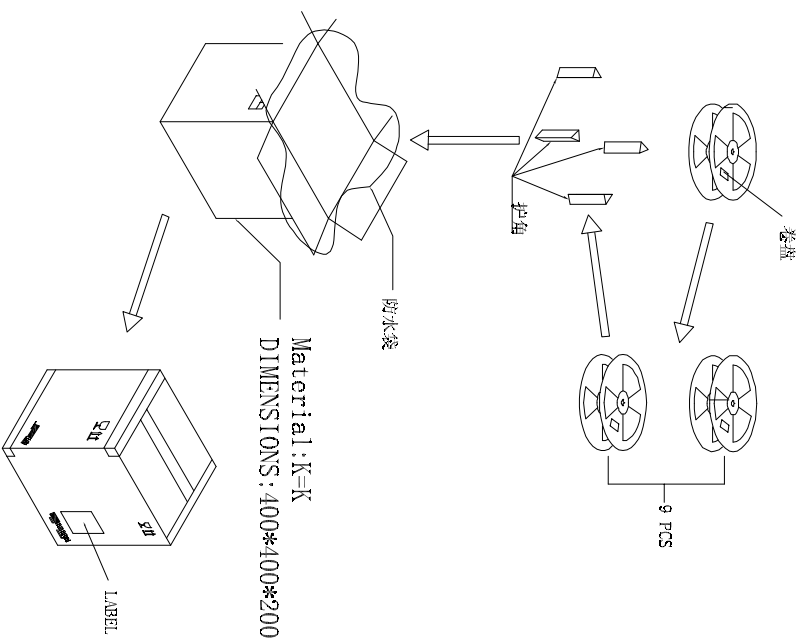
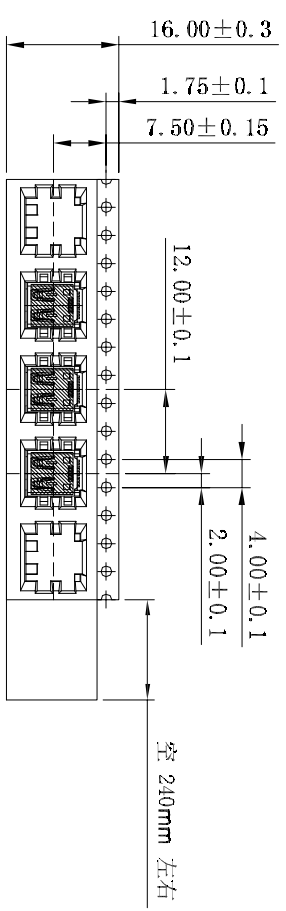
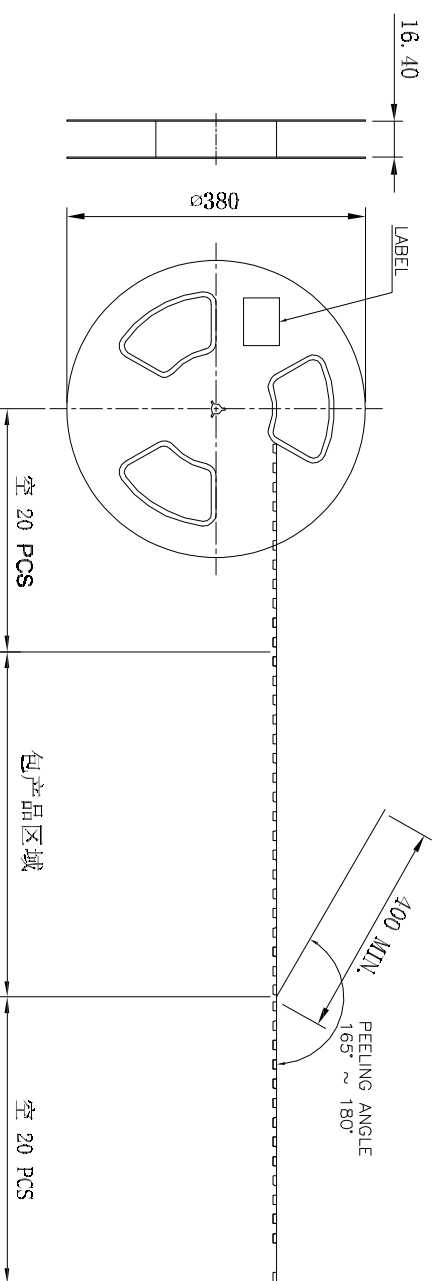


PIN	Signal Assignment	PIN	Signal Assignment
1	Hot Plug Detect	2	Utility
3	TMDS Data2+	4	TMDS Data2 Shield
5	TMDS Data2-	6	TMDS Data1+
7	TMDS Data1 Shield	8	TMDS Data1-
9	TMDS Data0+	10	TMDS Data0 Shield
11	TMDS Data0-	12	TMDS Clock+
13	TMDS Clock Shield	14	TMDS Clock-
15	CEC	16	DDC/CEC Ground
17	SCL	18	SDA
19	+5V Power		

TOLERANCES UNLESS OTHERWISE SPECIFIED: X. --- X.X ± 0.38 X.XX ± 0.25 X.XXX ± 0.10 Angle ± 1°	CUSTOMER COPY	深圳市东方御业科技有限公司 WWW.DFYCONN.COM TEL:0755-27155560			
	DRAWN: CHENLEI	2017/09/10	TITL: HDMI (D-TYPE) A1 (加凸包)		
	CHECKED: CHENLEI	2017/09/10	PART NO: EAST-HDD19B04AA1		
	APPROVED: QINKAIXING	2017/09/10	UNIT: mm	SCALE: N/A	SHEET: 1:1

THESE DRAWING AND SPECIFICATION ARE THE PROPERTY OF Shenzhen Dongfangyue ELECTRONIC CO., LTD. SHALL NOT BE REPRODUCED.

REV.	ECN NO.	MODIFY MATTER	DATE	APPROVED
A		RELEASE TO PRODUCTION		



- NOTE:
1. 材质: 纸箱: K=K, 双层瓦轮. 护角: B3B, 一箱四个. 上带: PET透明色, 可承受高温 100° C. 下带: PS黑色, 可承受高温 120° C. 卷盘: PS蓝色, 可承受高温70° C. 防水袋: PET透明色, 可承受高温 100° C.
 2. 上带剥离力: 0.1 ~ 1.3 N (10 ~ 130 GRAMS)
 3. 剥离速度: 300 mm/min.
 4. 每箱干燥剂两包.

2200	9	19800
PCS/ TAPE	REELS/ BOX	QUANTITY

TOLERANCES UNLESS OTHERWISE SPECIFIED:
 X: ± 0.38
 XX: ± 0.25
 XXX: ± 0.10
 XXXX: ±1°
 Angle

THESE DRAWING AND SPECIFICATION ARE THE PROPERTY OF Shenzhen Dongfangyue ELECTRONIC CO., LTD. SHALL NOT BE REPRODUCED.

DRAWN: CHENLEI
 CHECKED: CHENLEI
 APPROVED: QINKAXING

2017/09/10
 2017/09/10
 2017/09/10

深圳市东方御业科技有限公司
 WWW.DFYCCOMN.COM TEL:0755-27155560

PART NO: HDMI (D-TYPE) A1 (加凸包)
 EAST-HDD19B04AA1
 SCALE: N/A
 SHEET: 1-1
 REV: