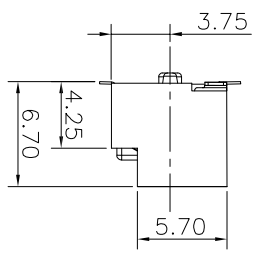
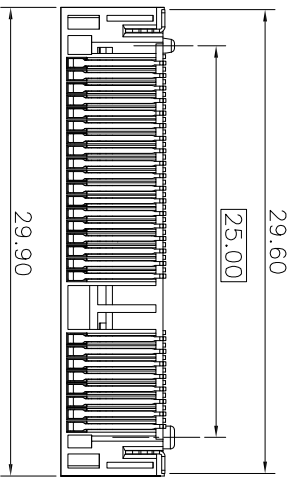
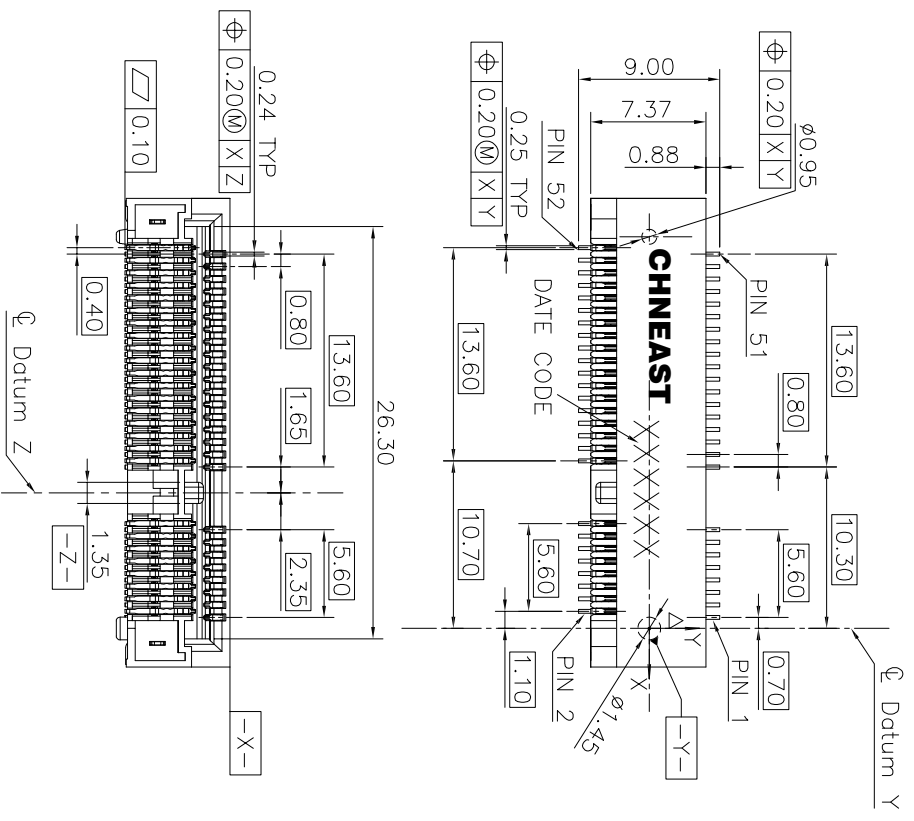
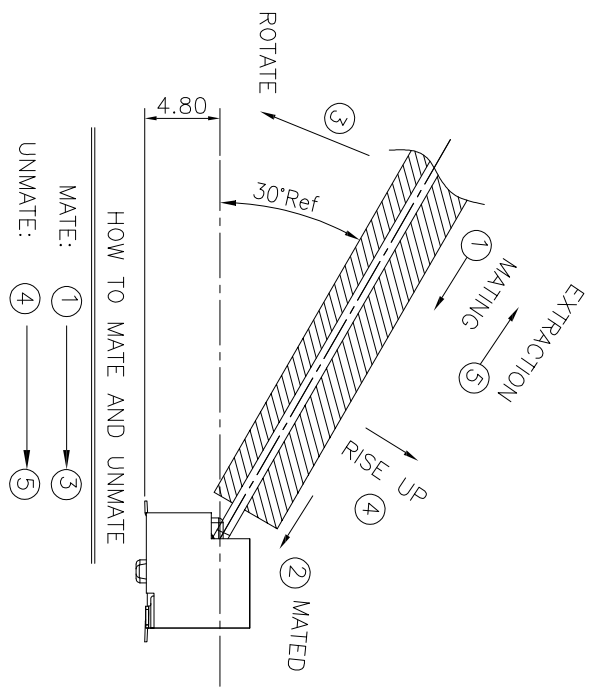


REV.	ESN NO.	MODIFY MATTER	DATE	APPROVED
A		RELEASE TO PRODUCTION	2013/02/05	Mke



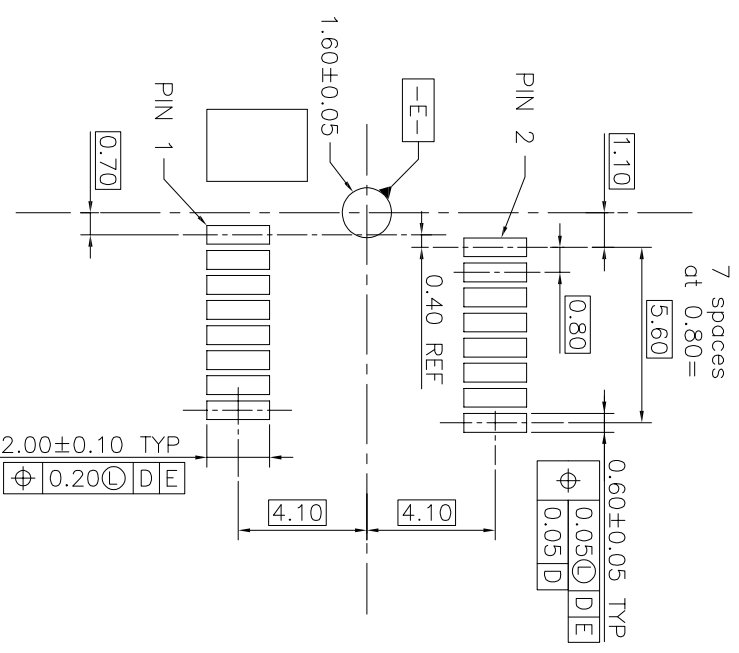
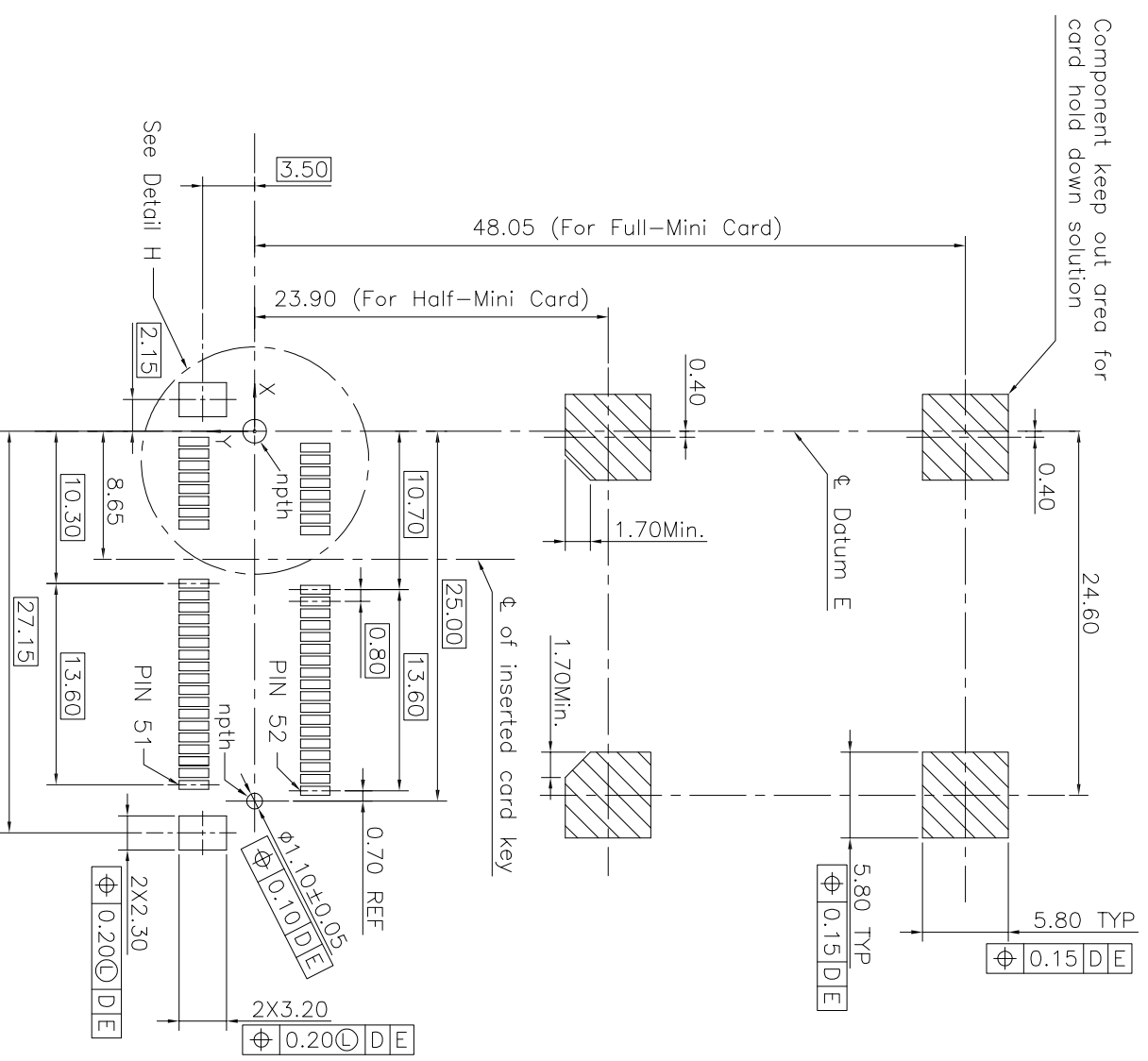
1. Datum X is the top surface of Product
2. (1) The horizontal axis for the pattern is established by a line through the center of the $\phi 1.45$ and $\phi 0.95$ posts.
(2) The vertical axis is 90° to the horizontal axis, through the center of datum Y.



TOLERANCES UNLESS OTHERWISE SPECIFIED:		INSPECTION COPY	
X.X	± 0.38	DRAWN: chenlei	
X.XX	± 0.25	CHECKED: qinkx	
X.XXX	± 0.20	DATE: 2013/02/05	
Angle	± 3°	APPROVED: qinkx	
THESE DRAWING AND SPECIFICATION ARE THE PROPERTY OF Shenzhen dongfangyuye CO.,LTD. SHALL NOT BE REPRODUCED.		PART NO: EAST-MX052P-67H	
深州市东方御业科技有限公司		UNIT: mm	
W.W.DF.YYCDNN.COM TEL:0755-27155560		SCALE: N/A	
MIMI PCIE 52P H6.7mm		SHEET: 1/1	
		REV: A	

NOT SCALE PRINT

REV.	EQN. NO.	MODIFY MATTER	DATE	APPROVED
A		RELEASE TO PRODUCTION	2013/02/05	Mike



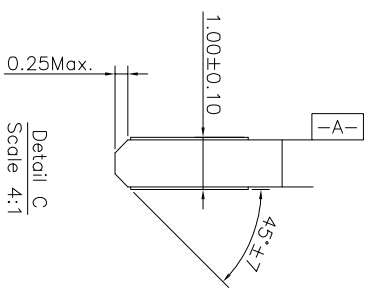
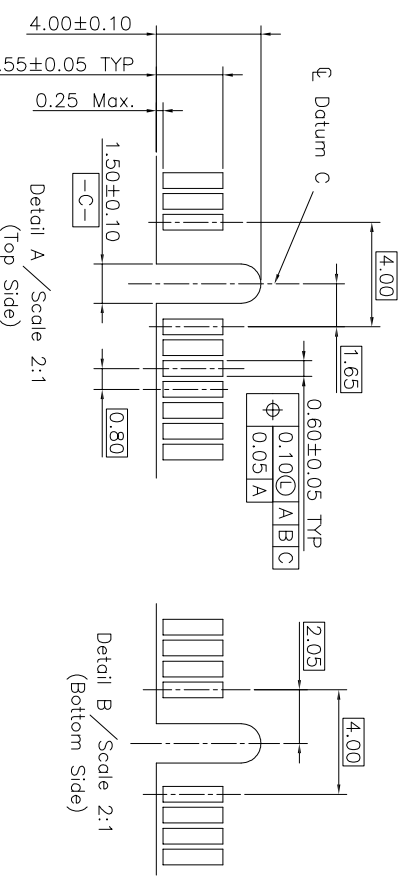
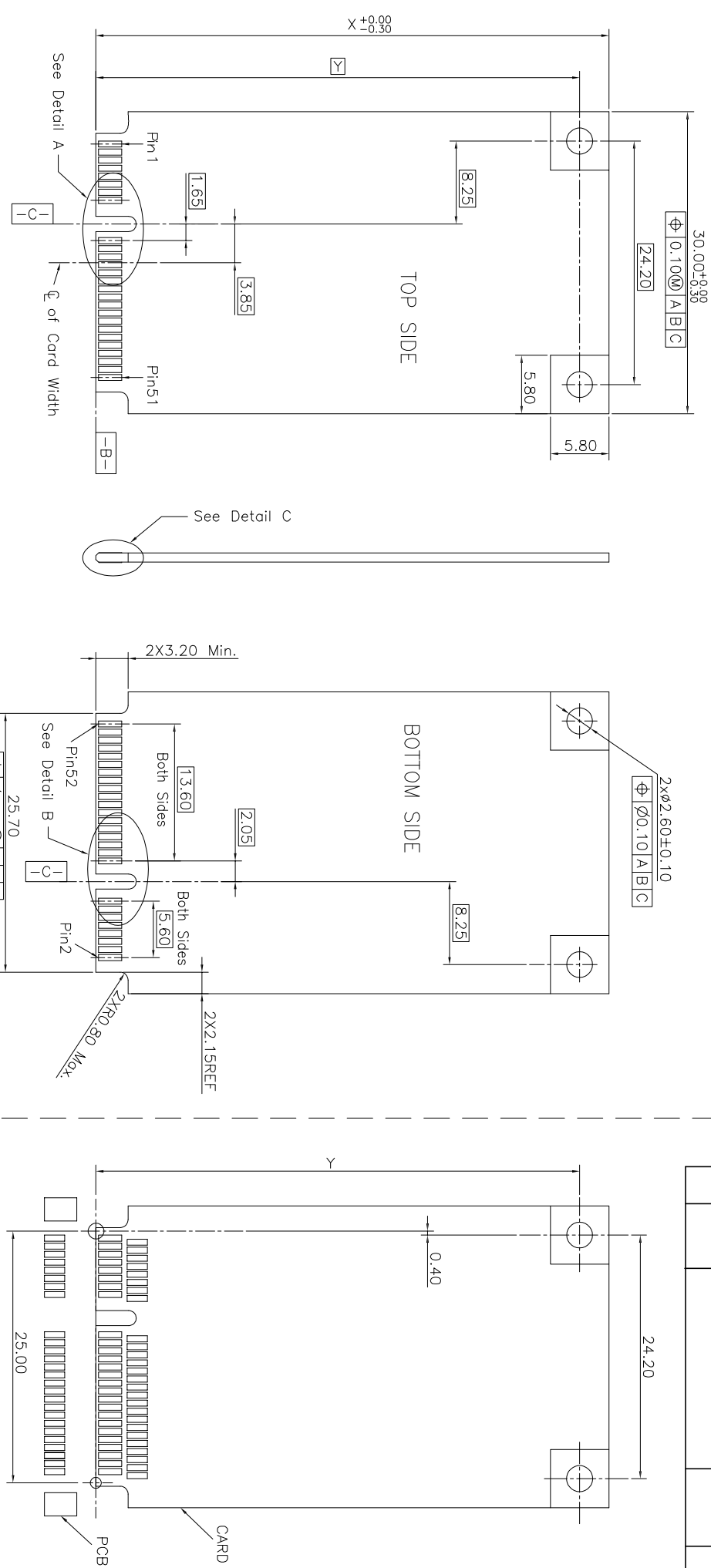
Detail H / Scale 2:1

1. DATUM D IS THE TOP SURFACE OF PCB
2. THE HORIZONTAL AXIS FOR THE PATTERN IS ESTABLISHED BY A LINE THROUGH THE CENTER OF THE $\phi 1.60$ AND $\phi 1.10$ HOLES. THE VERTICAL AXIS IS 90° TO THE HORIZONTAL AXIS, THROUGH THE CENTER OF DATUM E.
3. LOCATION OF INSERTED CARD EDGE IS ALIGNED WITH ϕ OF HOLES.

TOLERANCES UNLESS OTHERWISE SPECIFIED:		INSPECTION COPY		深圳市东方御业科技有限公司	
X	± 0.38	DRAWN: chenlei		WWW.DFYCCDN.COM TEL:0755-27155560	
X X	± 0.25	CHECKED: qinkx		TITLE: MINI PCIE 52P H6.7mm	
X:XXX	± 0.20	APPROVED: qinkx		PART NO: EAST-MX052P-67H	
Angle	± 3°	DATE: 2013/02/05		UNIT: mm	
THESE DRAWING AND SPECIFICATION ARE THE PROPERTY OF Shenzhen dongfangyue CO.,LTD. SHALL NOT BE REPRODUCED.		SCALE: N/A		SHEET: 1/1	
		REV: A			

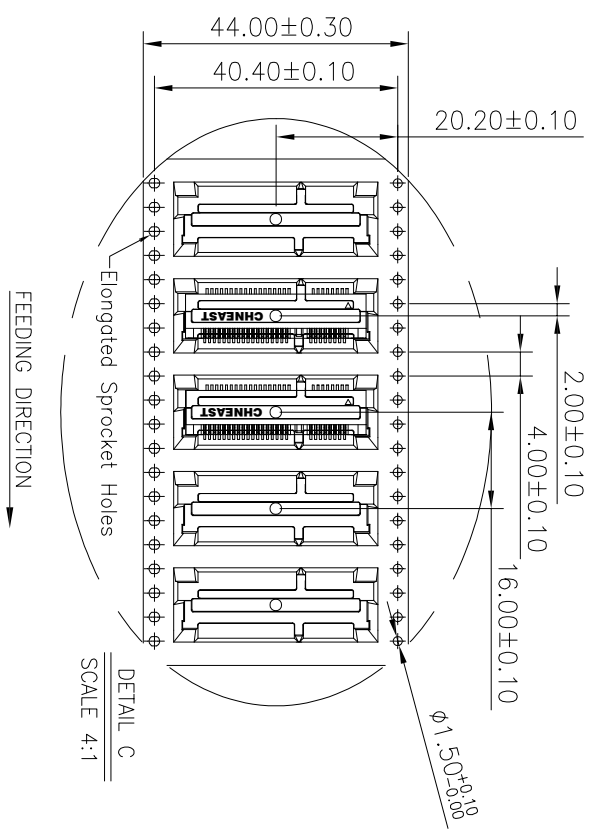
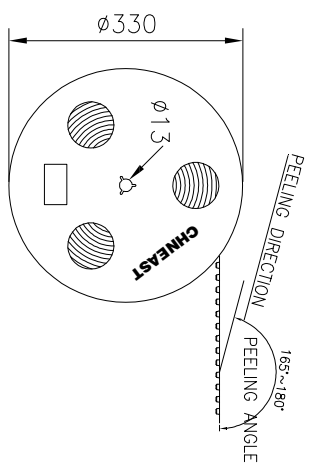
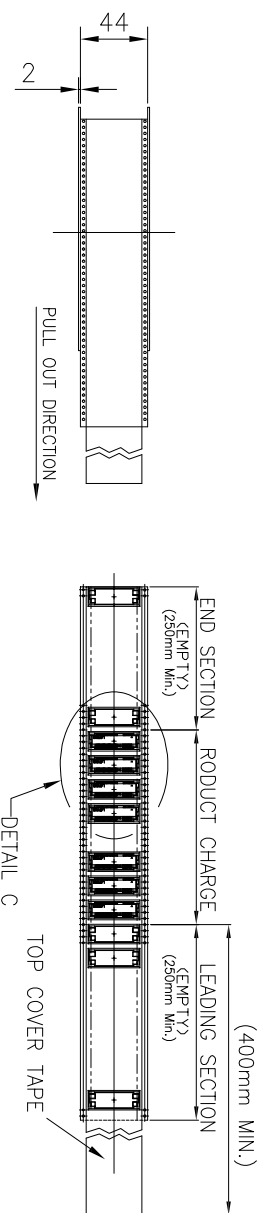
DO NOT SCALE PRINT

REV.	EQN. NO.	MODIFY MATTER	DATE	APPROVED
A		RELEASE TO PRODUCTION	2013/02/05	Mike

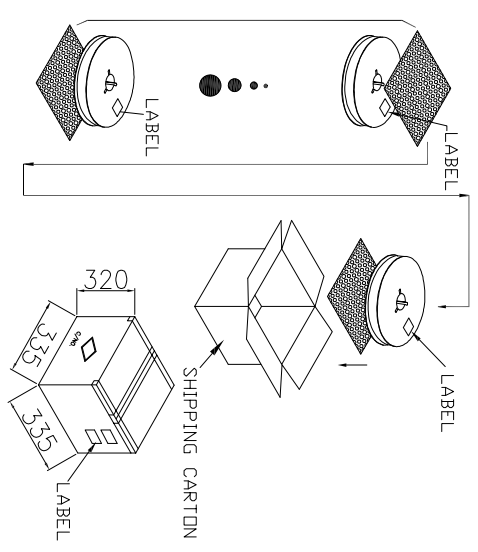


TOLERANCES UNLESS OTHERWISE SPECIFIED: X ± 0.38 X X ± 0.25 X.XXX ± 0.20 X:XXX ±.3° Angle		INSPECTION COPY DRAWN: chenlei CHECKED: qinkx APPROVED: qinkx	
THESE DRAWING AND SPECIFICATION ARE THE PROPERTY OF Shenzhen dongfangyuye CO.,LTD. SHALL NOT BE REPRODUCED.		深圳市东方御业科技有限公司 WWW.DFYCCDN.COM TEL:0755-27155560	
PART NO: MINI PCIE 52P H6.7mm DATE: 2013/02/05		DIM X DIM Y Half-Mini Card 26.80 23.90 Full-Mini Card 50.95 48.05	
UNIT: mm SCALE: N/A SHEET: 1/1		EAST-MX052P-67H REVISION: A	

REV.	EQN NO.	MODIFY MATTER	DATE	APPROVED
A		RELEASE TO PRODUCTION	2013/02/05	Miké



- NOTES:
- MATERIAL :
 - CARRY TAPE: PS
 - COVER TAPE: PET
 - SHIPPING CARTON: CORRUGATED FIBER
 - DIMENSION :
 - REEL: W=44.5, $\phi A=330$
 - SHIPPING CARTON: L=335, W=335, H=320 (INNER)
 - QUANTITY :
 - PRIMARY PACKING: 700 PCS/REEL
 - SECONDARY PACKING: 6 REELS/CARTON(4200PCS)
 - PEELING RESISTANCE: 20gf~120gf.
 - PEELING SPEED: 300mm/minutes.



TOLERANCES UNLESS OTHERWISE SPECIFIED:		INSPECTION COPY		深圳市东方御业科技有限公司	
X	± 0.38	DRAWN: chenlei		W.W.DF.YYCDNN.COM TEL:0755-27155560	
X	± 0.25	CHECKED: qinkx		TITLE: MINI PCIE 52P H6.7mm	
X	± 0.20	APPROVED: qinkx		PART NO: EAST-MX052P-67H	
Angle	± 3°	DATE: 2013/02/05		UNIT: mm	
THESE DRAWING AND SPECIFICATION ARE THE PROPERTY OF Shenzhen dongfangyue CO.,LTD. SHALL NOT BE REPRODUCED.		SCALE: N/A		SHEET: 1/1	
		REV: A			

DO NOT SCALE PRINT

A