

RECOMMENDED PCB LAYOUT (TOP VIEW)
TOLERANCE FOR PCB LAYOUT IS ±0.05

REV.	EQN NO.	MODIFY MATTER	DATE	APPROVED
A		RELEASE TO PRODUCTION	2013/02/05	Mike

NOTES:

- MATERIAL:
 - Housing:thermoplastic plastics
 - terminals:Copper Alloy
 - Gold plated in contact area:
Tin plated in termination
Nickel Plated overall
 - Shell:Steel&Copper Alloy
- ELECTRICAL CHARACTERISTICS:
 - Rating Current :0.5 Ampere
 - Rating Voltage :40 V Max
 - Contact Resistance:30 Milli ohms
 - Insulation Resistance:100 Mega ohms Min.
- MECHANICAL CHARACTERISTICS:
 - Connector Mating force: 4.5kg MAX
 - Connector Unmating force:1.0kg min
 - Durability:10000Cycles.
- ENVIRONMENT CHARACTERISTICS:
 - Operating temperature:-20℃ to +85℃
 - Storage temperature:-20℃ to +65℃

EAST-HDMI19A10444-XXR

- TERMINAL PLATING CODE SHELL PLATING
- CONTACT AREA: GOLD FLASH
 - SOLDER AREA: GOLD FLASH
 - CONTACT AREA: 5u" GOLD
 - SOLDER AREA: GOLD FLASH
 - CONTACT AREA: 15u" GOLD
 - SOLDER AREA: GOLD FLASH
- 1:鍍 PLATING Au.
2:鍍 PLATING Ni.
3:鍍 PLATING Au.
4:鍍 PLATING Ni.
5:不鍍 PLATING Au.
6:不鍍 PLATING Ni.

PIN	SIGNAL ASSIGNMENT	PIN	SIGNAL ASSIGNMENT
1	TMS Detect+	11	TMS Clock Shield
2	TMS Detect+ Shield	12	TMS Clock-
3	TMS Detect-	13	CEC
4	TMS Detect+	14	Reserved (Ac or Detek)
5	TMS Detect+ Shield	15	SC
6	TMS Detect-	16	SDA
7	TMS Detect+	17	DDC/CEC Ground
8	TMS Detect+ Shield	18	+5V Power
9	TMS Detect-	19	Hot Plug Detect
10	TMS Clock+		

TOLERANCES UNLESS OTHERWISE SPECIFIED:	± 0.38	INSPECTION COPY
X X	± 0.25	DRAWN: Qlnkx
X.XX	± 0.20	CHECKED: Chenlei
X.XXX	± 3°	DATE: 2013/02/05
Angle		PART NO: HDMI A TYPE DIP

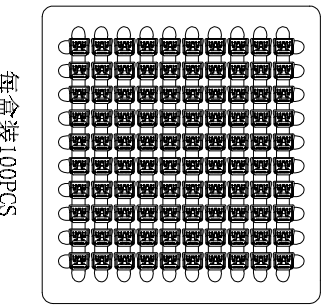
THESE DRAWING AND SPECIFICATION ARE THE PROPERTY OF Shenzhen Dongjiayue CO.,LTD. SHALL NOT BE REPRODUCED.

深圳市东方御业科技有限公司
TEL:0755-27155560 WWW.DFYCONN.COM

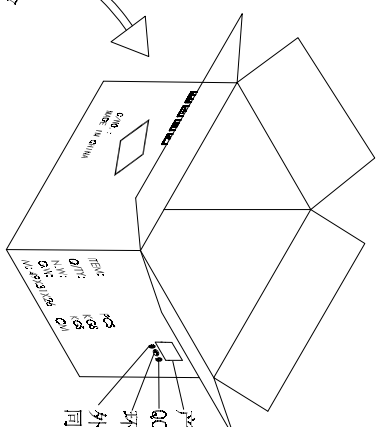
EAST-HDMI19A10444-XXR
SCALE: N/A SHEET: 1/1 REV: A

REV.	EQN. NO.	MODIFY MATTER	DATE	APPROVED
A		RELEASE TO PRODUCTION	2013/02/05	Mike

适用于：
1. HDMI 90度 三排针系列

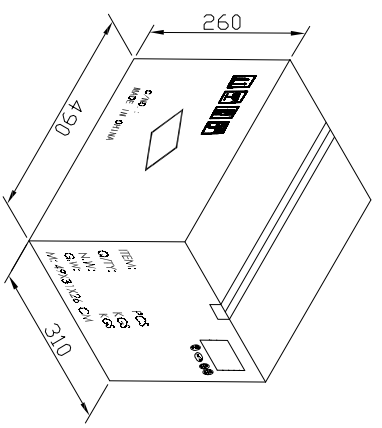


每盒装100PCS

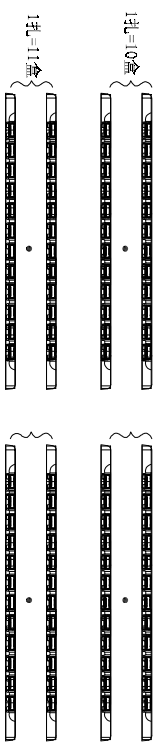


产品标签
QC印章, 加盖于标签右下方
环保标签
外壳为铜时加贴铜标签
同时内部每盘右上角加贴小铜标

将两排放入纸箱



- 备注：
1. 将全检后的良品如图所示摆入规格为 275*230的PVC透明吸塑盒中，每盒包装100PCS，每箱底下11盒为一扎，上面10盒为一扎，每盒盖一个上盖并贴上标签用PE膜缠好，2扎共21盒为一排，分两排放入放入规格为490*310*260mm的纸箱中，每箱共4200PCS。
 2. 装好后用封胶纸将纸箱封好，并在纸箱上贴上下箱标签和加盖QC PASS章。
 3. 客户有特殊要求时按客户要求进行。
 4. 月份标签按月份标签粘贴作业规范进行。



一排21盒，二排共42盒装一箱，底下11盒为一扎，上面10盒为一扎，每盒盖一个上盖，2扎共21盒为一排，分两排放入纸箱内，一箱共4200PCS

TOLERANCES UNLESS OTHERWISE SPECIFIED:		深 圳 市 东 方 御 业 科 技 有 限 公 司	
X	± 0.38	TEL: 0755-27155560 WWW.DFYCONN.COM	
X X	± 0.25	DRAWN: Qlnkx	
X.XXX	± 0.20	CHECKED: Chenlei	
X.XXX	± 3°	APPROVED: Chenlei	
Angle		DATE: 2013/02/05	
THESE DRAWING AND SPECIFICATION ARE THE PROPERTY OF Shenzhen Dongfangyue CO.,LTD. SHALL NOT BE REPRODUCED.		PART NO: HDMI A TYPE DIP	
		UNIT: mm	
		SCALE: N/A	
		SHEET: 1/1	
		REV: A	

