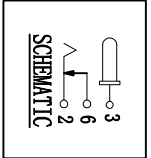
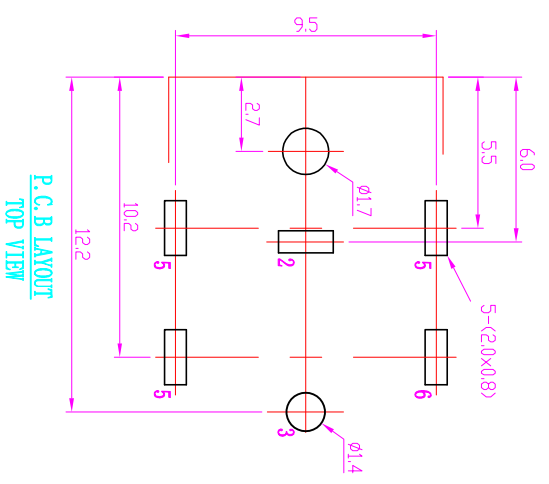
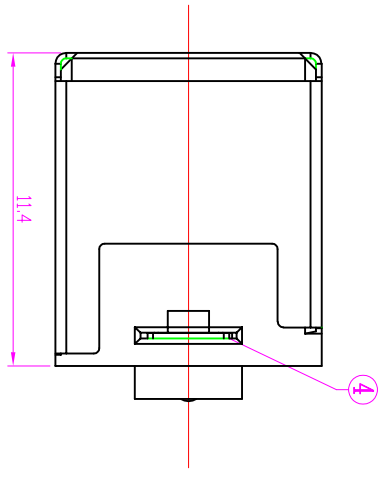
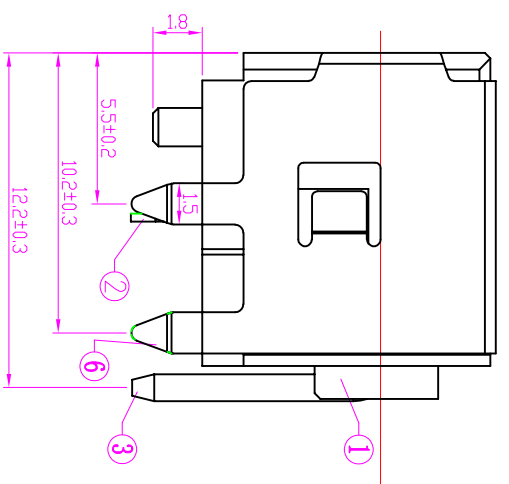
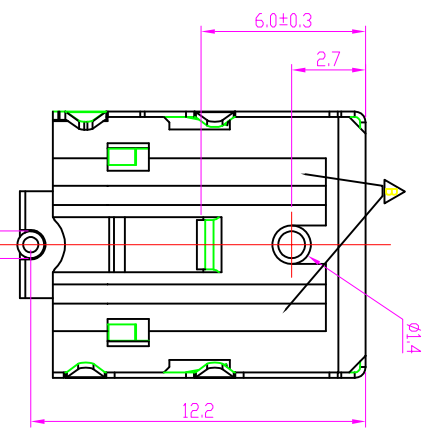
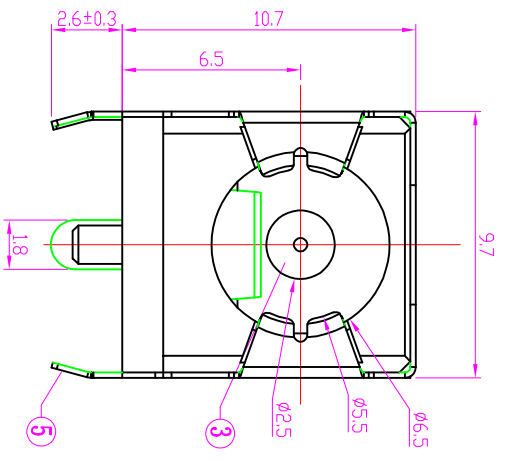


REV.	ECN NO.	MODIFY	MATTER	DATE	APPROVED
A		RELEASE TO PRODUCTION			



### SPECIFICATION

1. Rating : DC 20V 15A;
2. Contact resistance:  $\leq 0.03\Omega$ ;
3. Insulation resistance:  $\geq 100M\Omega$  (DC250V) ;
4. Withstand voltage: 500VAC ;
5. Insertion and extraction force: 3-40N;
6. life test: 5, 000 cycles.



EAST-DC-3035-X.XX

PIN	01.65	02.00	02.50
APPD.	165	2.00	2.50

NO.	DESCRIPTION	QTY	MATERIAL	PLATING
6	CONTACT FOOT	1	BRASS	Ni50°, Sn80°
5	CONTACT FOOT	1	SUS301	Ni-Plating
4	STOPPER	1	SUS301	
3	PIN	1	BRASS	Ni-Plating
2	SPRING PIECE	1	BRONZE	Ni50°, Sn80°
1	HOUSING	1	PA9T	

TOLERANCES UNLESS OTHERWISE SPECIFIED:		DRAWN: Qlnkx		CHECKED: Chenli		APPROVED: Chenli	
X	± 0.38	2017/09/10		2017/09/10		2017/09/10	
X	± 0.25						
X	± 0.20						
X	Angle						
THESE DRAWING AND SPECIFICATION ARE THE PROPERTY OF SHENZHEN EAST-DC ELECTRONIC CO., LTD., SHALL NOT BE REPRODUCED.		DC JACK		EAST-DC-3035-X.XX		SCALE: N/A	
CUSTOMER COPY		SHENZHEN EAST-DC ELECTRONIC CO., LTD.		TEL: 0755-27155560		SHEET: 1	