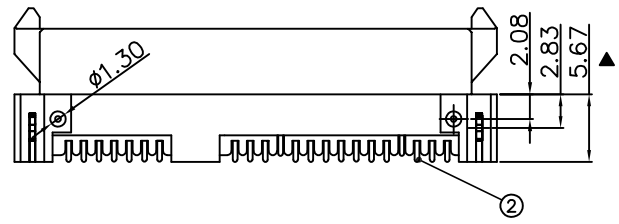
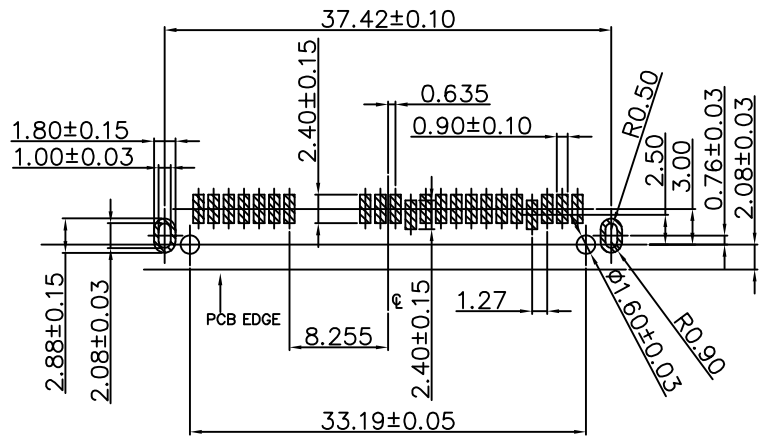
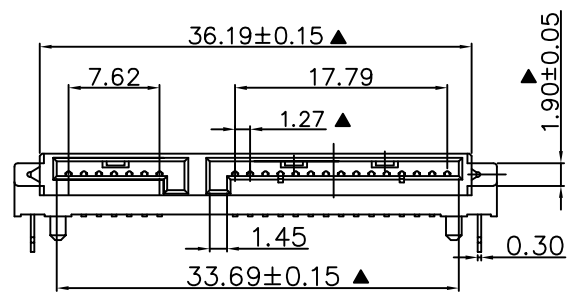
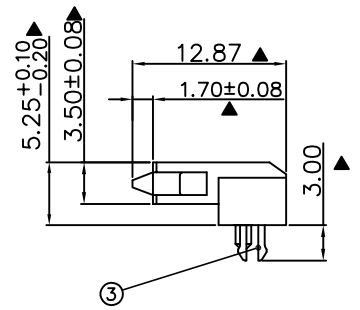
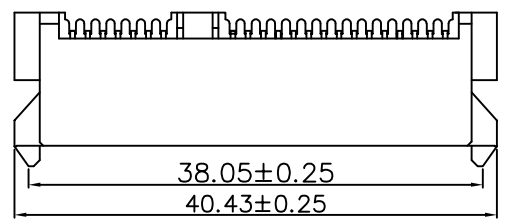


REV.	ECN NO.	MODIFY MATTER	DATE	APPROVED
A		RELEASE TO PRODUCTION		



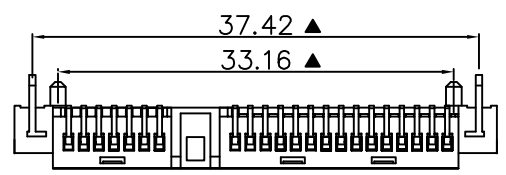
SPECIFICATION:
 1.MATERIAL:
 HOUSING: LCP UL 94V-0
 COLOR:BLACK
 CONTACT: PHOSPHOR BRONZE C5191R-H,T=0.25MM
 PEG: BRASS C2680R-H,T=0.35MM
 2.FINISH:
 CONTACT:1U"3U"5U"15U" GOLD/TIN PLATING ON CONTACT AREA
 100u" MIN. TIN PLATING ON SOLDERTAILS
 50u" MIN.NICKEL UNDERPLATING OVER ALL
 PEG: 100u" MIN. TIN PLATING ON SOLDERTAILS
 50u" MIN.NICKEL UNDERPLATING OVER ALL



RECOMMEND PCB LAYOUT (T=1.2)
 PCB TOLERANCE:±0.05

EAST-SA90SDS52LDCR

- 90:卧式
- 18:直立
- SD:SMT
- DP:DIP
- P=公
- S=母
- 高度
- H:5.20mm
- P:PBT
- A:PA66
- L:LCP
- 包装
- A-Tube,
- B-Reel,
- C-Tray
- U=上接触
- D=下接触



TOLERANCES UNLESS OTHERWISE SPECIFIED: X. --- X.X ± 0.38 X.XX ± 0.25 X.XXX ± 0.20 Angle ± 3'	CUSTOMER COPY	深圳市东方御业科技有限公司 Tel:0755-2715560 WWW.DFYCONN.COM		
	DRAWN: Qinkx	2017/09/10	TITLE: SATA 7+15P 母座 SMT H: 5.25 板下型 侧插 (RoHS)	PART NO: EAST-SA90SDS52LDCR
THESE DRAWING AND SPECIFICATION ARE THE PROPERTY OF Shenzhen Dongfangyuye ELECTRONIC CO., LTD.. SHALL NOT BE REPRODUCED.	CHECKED: Chenl	2017/09/10	DRAWING NO:	UNIT: mm
	APPROVED: Chenl	2017/09/10	SCALE: N/A	SHEEL: REV.

DO NOT SCALE PRINT.