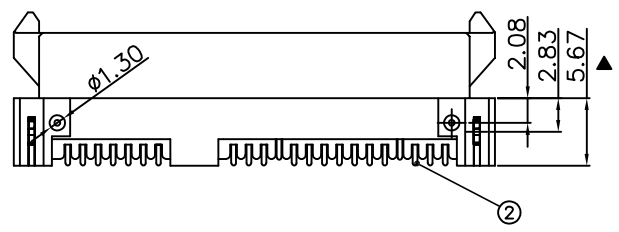
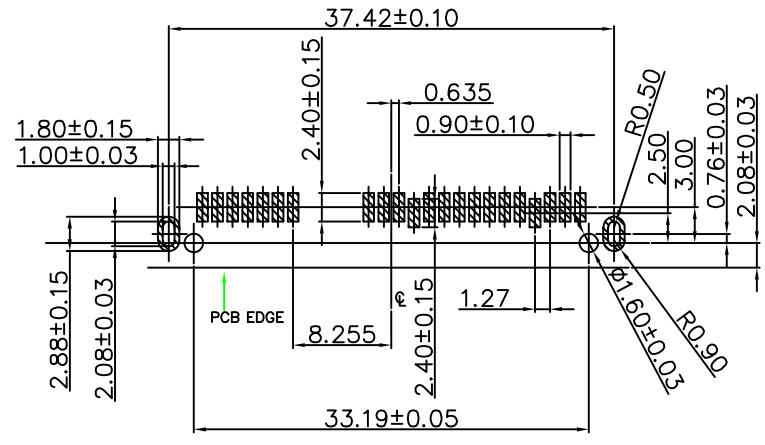
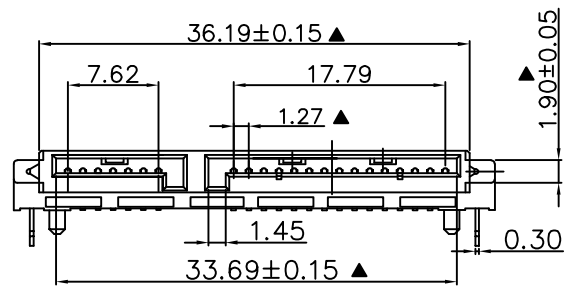
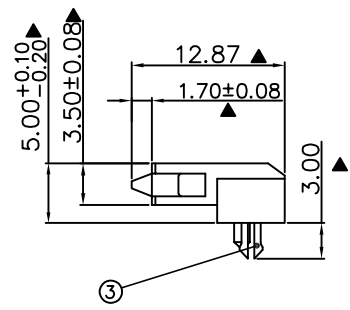
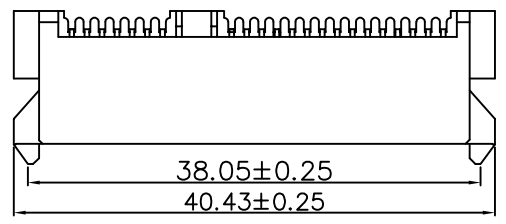


REV.	ECN NO.	MODIFY MATTER	DATE	APPROVED
A		RELEASE TO PRODUCTION		



SPECIFICATION:
1.MATERIAL:
 HOUSING: LCP UL 94V-0
 COLOR:BLACK
 CONTACT: PHOSPHOR BRONZE C5191R-H,T=0.25MM
 PEG: BRASS C2680R-H,T=0.35MM
2.FINISH:
 CONTACT:1U"3U"5U"15U" GOLD/TIN PLATING ON CONTACT AREA
 100u" MIN. TIN PLATING ON SOLDERTAILS
 50u" MIN.NICKEL UNDERPLATING OVER ALL
 PEG: 100u" MIN. TIN PLATING ON SOLDERTAILS
 50u" MIN.NICKEL UNDERPLATING OVER ALL



RECOMMEND PCB LAYOUT (T=1.2)
 PCB TOLERANCE:±0.05

EAST-SA90SDS50LDCR

- 90:卧式
- 18:直立
- SD:SMT
- DP:DIP
- P=公
- S=母
- 高度
- H:5.00mm
- P:PBT
- A:PA66
- L:LCP
- 包装
- A-Tube,
- B-Reel,
- C-Tray
- U=上接触
- D=下接触

TOLERANCES UNLESS OTHERWISE SPECIFIED: X. --- X.X ± 0.38 X.XX ± 0.25 X.XXX ± 0.20 Angle ±3°	COSTOMER COPY 深圳市东方御业科技有限公司 Tel:0755-2715560 WWW.DFYCONN.COM		
	DRAWN: Qinkx	2017/09/10	TITL: SATA 7+15P 母座 SMT H: 5.00 板下型 侧插 (RoHS)
	CHECKED: Chenl	2017/09/10	PART NO: EAST-SA90SDS50LDCR
THESE DRAWING AND SPECIFICATION ARE THE PROPERTY OF Shenzhen Dongfangyue ELECTRONIC CO., LTD. SHALL NOT BE REPRODUCED.	APPROVED: Chenl	2017/09/10	DRAWING NO: UNIT: mm SCALE: N/A SHEEL: REV.

DO NOT SCALE PRINT.