

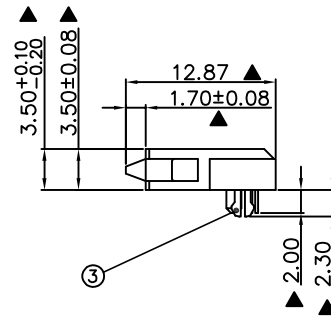
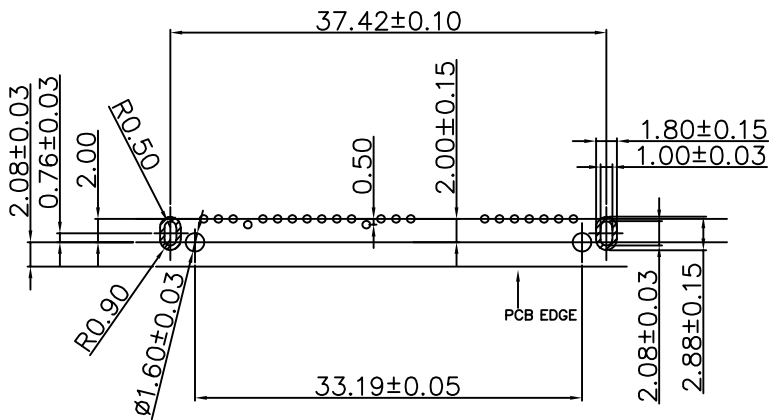
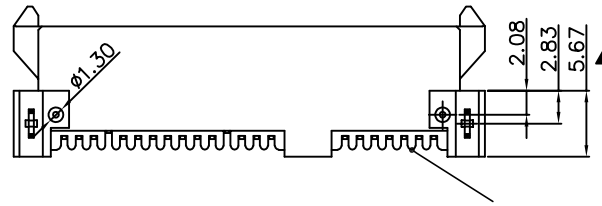
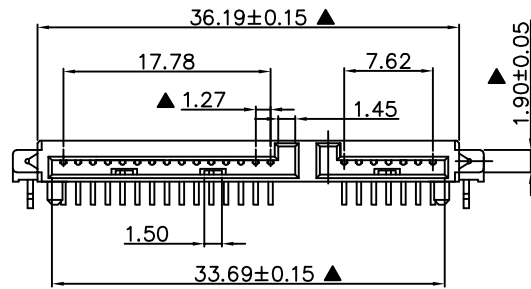
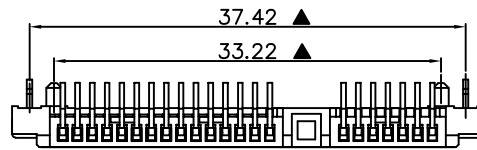
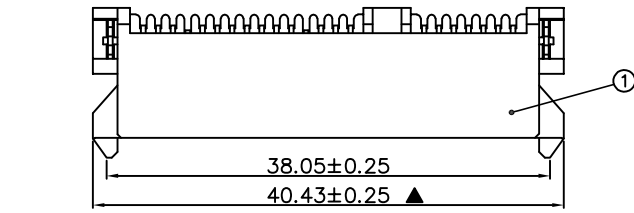
| REV. | ECN NO. | MODIFY MATTER         | DATE | APPROVED |
|------|---------|-----------------------|------|----------|
| A    |         | RELEASE TO PRODUCTION |      |          |

NOTES:  
 1.MATERIAL:  
 HOUSING:LCP WITH 30 % GLASS FIBER  
 CONTENT,UL94 V-0  
 COLOR:BLACK  
 CONTACT:PHOSPHOR BRONZE T=0.25mm  
 BOARD LOCK:BRASS C2680R H,T=0.40mm  
 2.FINISH:  
 CONTACT:5u" GOLD /TIN PLATING ON CONTACT AREA  
 100u" MIN. TIN-LEAD PLATING ON SOLDER TAILS  
 50u" MIN.NICKEL UNDERPLATING OVER ALL  
 BOARD LOCK:100u" MIN. TIN-LEAD PLATING ON SOLDER TAILS  
 50u" MIN.NICKEL UNDERPLATING OVER ALL

### EAST-SA90DPS35LUCR

90:卧式  
 18:直立  
 SD:SMT  
 DP:DIP  
 P=公  
 S=母  
 高度  
 3.5mm  
 P:PBT  
 A:PA66  
 L:LCP

包装  
 A-Tube,  
 B-Reel,  
 C-Tray  
 U=上接触  
 D=下接触



RECOMMEND PCB LAYOUT (T=1.2)  
 PCB TOLERANCE:±0.05

TOLERANCES UNLESS OTHERWISE SPECIFIED:  
 X. ---  
 X.X ± 0.38  
 X.XX ± 0.25  
 X.XXX ± 0.10  
 Angle ±1°

|                         |            |  |               |               |
|-------------------------|------------|--|---------------|---------------|
| COSTOMER COPY           |            | 深圳市东方御业科技有限公司<br>WWW.DFYCONN.COM TEL:0755-27155560 |               |               |
| DRAWN:<br>CHENLEI       | 2017/09/10 | TITL:<br>SATA 7+15P 母座DIP<br>H:3.5 板上型<br>(RoHS)   |               |               |
| CHECKED:<br>CHENLEI     | 2017/09/10 | PART NO:<br>EAST-SA90DPS35LUCR                     |               |               |
| APPROVED:<br>QINKAIXING | 2017/09/10 | UNIT:<br>mm  | SCALE:<br>N/A | SHEET:<br>1:1 |

THESE DRAWING AND SPECIFICATION ARE THE PROPERTY OF Shenzhen Dongfangyuye ELECTRONIC CO., LTD., SHALL NOT BE REPRODUCED.