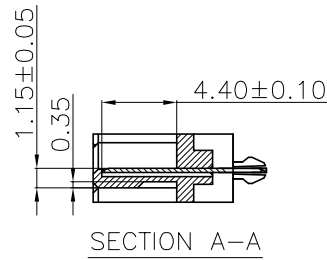
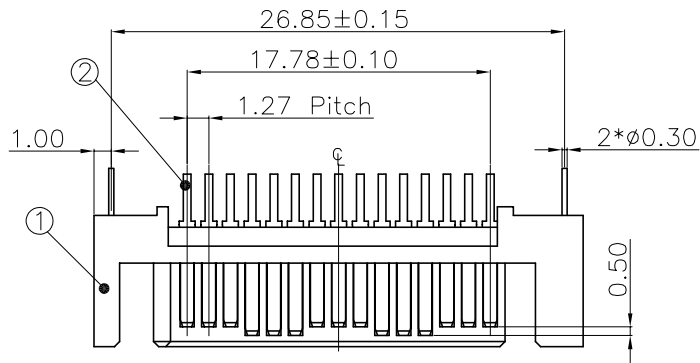


REV.	ECN NO.	MODIFY MATTER	DATE	APPROVED
A		RELEASE TO PRODUCTION		



**SPECIFICATION:**

**1.MATERIAL:**

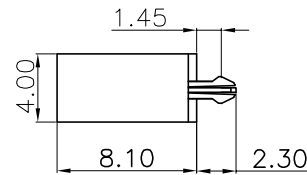
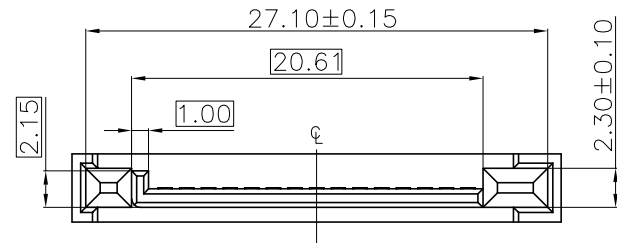
HOUSING:LCP 30% G/F UL 94V-0  
 COLOR:BLACK  
 CONTACT:BRASS C2680R EH,T=0.25mm

**2.FINISH:**

CONTACT:5u"/3u"  
 / GOLD/TIN PLATING ON CONTACT AREA  
 100u" MIN. TIN-LEAD PLATING ON SOLDER TAILS  
 50u" MIN.NICKEL UNDERPLATING OVER ALL

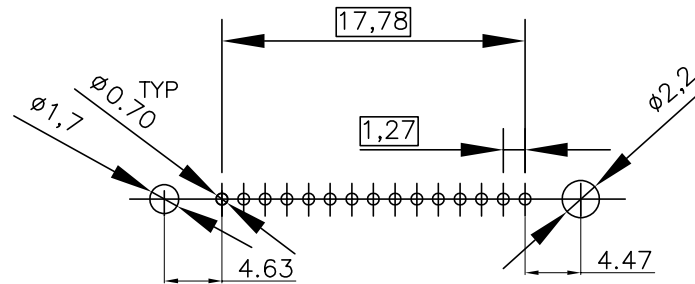
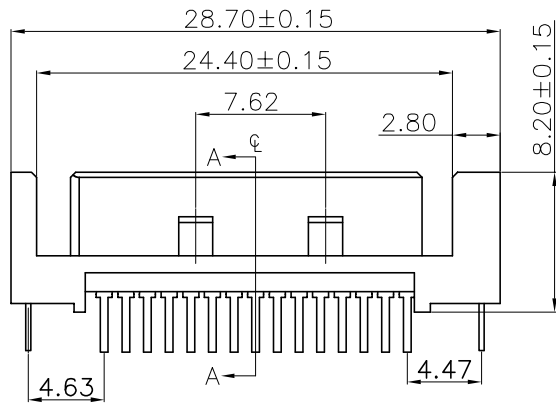
**3.ELECTRICAL**

- 3.1 CURRENT RATING: 1.5A PER PIN MIN.
- 3.2 CONTACT RESISTANCE: 30m OHM MAX.
- 3.3 INSULATION RESISTANCE: 1000M OHM MIN.
- 3.4 DIELECTRIC WITHSTANDING VOLTAGE: 500VAC.



**EAST-SA1518DPSPCR**

- 90:卧式
- 18:直立
- SD:SMT
- DP:DIP
- P=公
- S=母
- 包装
- A-Tube,
- B-Reel,
- C-Tray
- P: PBT
- A: PA66
- L: LCP



**PCB LAYOUT**  
 RECOMMENDED PCB TOLERANCE:±0.05

TOLERANCES UNLESS OTHERWISE SPECIFIED: X. ---- X.X ± 0.38 X.XX ± 0.25 X.XXX ± 0.10 Angle ±1°	COSTUMER COPY	深圳市东方御业科技有限公司 WWW.DFYCONN.COM TEL:0755-27155560		
	DRAWN: CHENLEI	2017/09/10	TITAL: SATA 15P 180度 插板式	
THESE DRAWING AND SPECIFICATION ARE THE PROPERTY OF Shenzhen Dongfangyue ELECTRONIC CO., LTD. SHALL NOT BE REPRODUCED.	CHECKED: CHENLEI	2017/09/10	PART NO: EAST-SA1518DPSPCR	
	APPROVED: QINKAIXING	2017/09/10	UNIT: mm	SCALE: N/A
			SHEET: 1:1	REV.