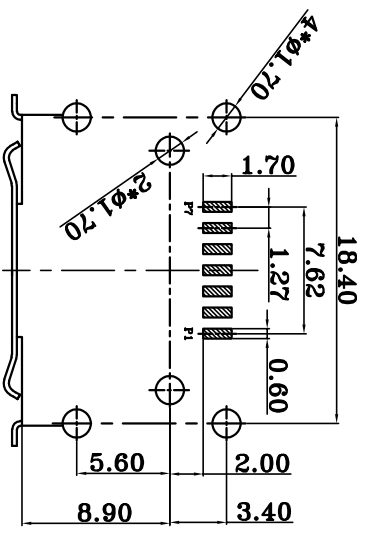
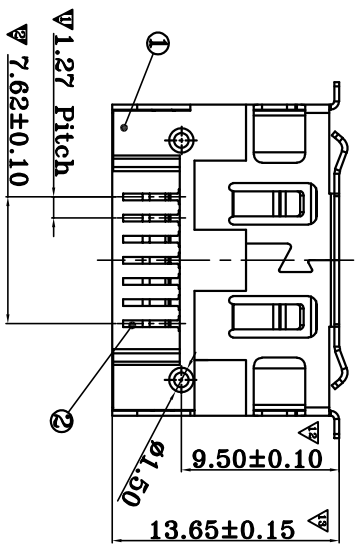
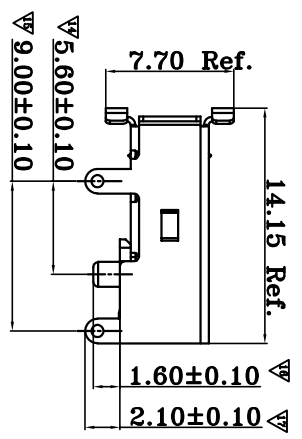
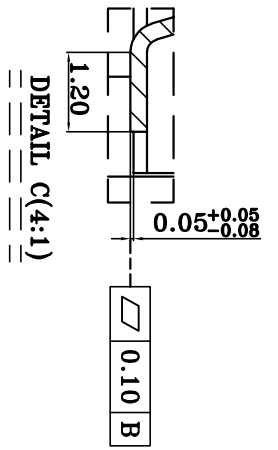
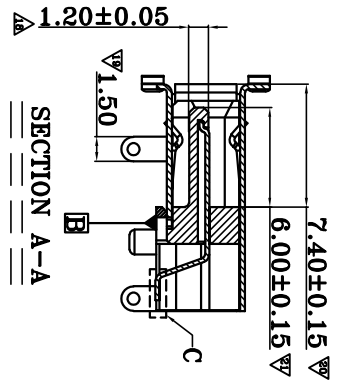
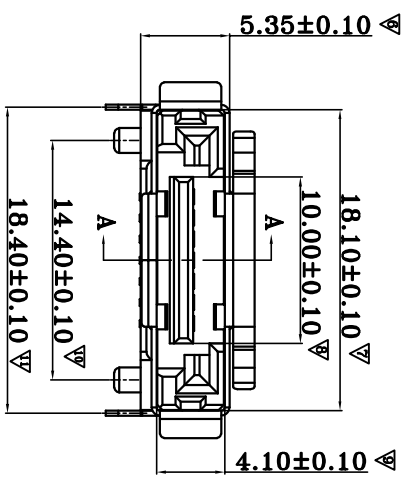
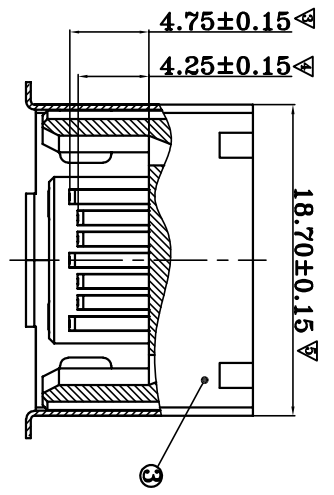


REV.	ECN NO.	MODIFY MATTER	DATE	APPROVED
A		RELEASE TO PRODUCTION		



EAST-ESAT790SDSLUCR

- 90°卧式
- 18:直立
- SD: SMT
- DP: DIP
- P = 公
- S = 母
- 包装
- A- Tube,
- B- Reel,
- C- Tray
- U: 上接触
- D: 下接触
- P: PBT
- A: PA66
- L: LCP

NO.	DESCRIPTION	MATERIAL	COLOR	REMARK
3	Shell	Pho. Bronze C5191 EH		Ni Plated
2	Terminal	Brass C2680 EH		Gold/Tin Plated
1	Housing	High Temp.	Black	UL 94V-0

TOLERANCES UNLESS OTHERWISE SPECIFIED:
 X, X.X ± 0.38
 X.XX ± 0.25
 X.XXX ± 0.10
 Angle ± 1°

THESE DRAWING AND SPECIFICATION ARE THE PROPERTY OF Shenzhen Dongfangyue Electronic Co., Ltd. SHALL NOT BE REPRODUCED.

CUSTOMER COPY	DATE: 2017/09/10	DESIGNER: CHENLEI	CHECKER: CHENLEI	DATE: 2017/09/10
DATE: 2017/09/10	DATE: 2017/09/10	DATE: 2017/09/10	DATE: 2017/09/10	DATE: 2017/09/10

深圳市东方御业科技有限公司
 WWW.DFYCONN.COM TEL: 0755-27155560

PART NO.: E_SATA 7P Male frontal SMT type (Rohs)
 EAST-ESAT790SDSLUCR
 SCALE: N/A
 SHEET: 1:1