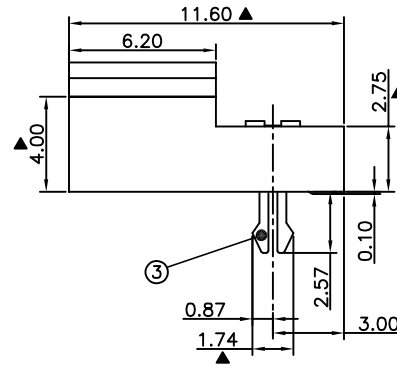
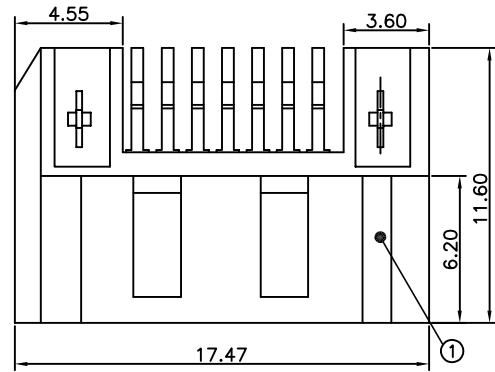
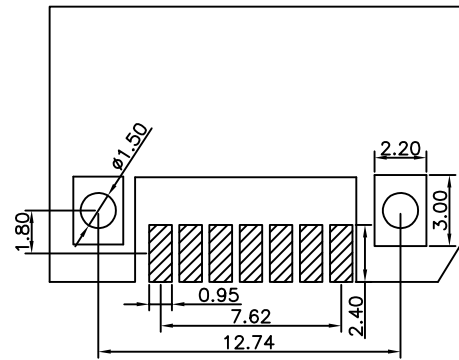
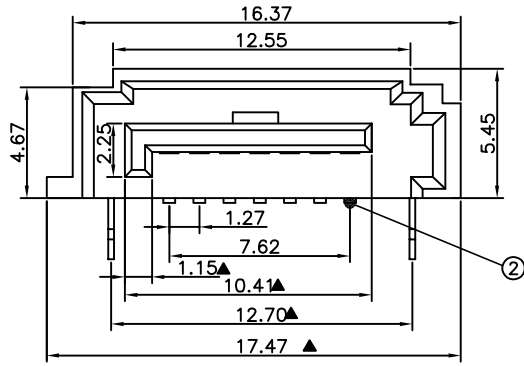


REV.	ECN NO.	MODIFY MATTER	DATE	APPROVED
A		RELEASE TO PRODUCTION		



**SPECIFICATION:**

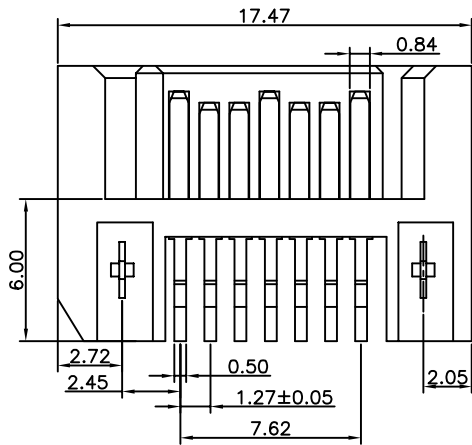
1.MATERIAL:  
 HOUSING:LCP E130i UL 94V-0  
 COLOR:BLACK  
 CONTACT:BRASS C2680-H,T=0.25mm  
 PEG:BRASS C2680R-H,T=0.30mm  
 2.FINISH:  
 CONTACT:1u" GOLD/TIN PLATING ON CONTACT AREA  
 100u" MIN. TIN PLATING ON SOLDER TAILS  
 50u" MIN. NICKEL UNDERPLATING OVERALL  
 PEG:100u" MIN. TIN PLATING ON SOLDER TAILS  
 50u" MIN. NICKEL UNDERPLATING OVERALL



RECOMMEND PCB LAYOUT  
 PCB TOLERANCE:±0.05

**EAST-SA790SDSLCR**

90:卧式  
 18:直立  
 SD:SMT  
 DP:DIP  
 P=公  
 S=母  
 包装  
 A-Tube,  
 B-Reel,  
 C-Tray  
 P: PBT  
 A: PA66  
 L: LCP



TOLERANCES UNLESS OTHERWISE SPECIFIED: X. --- X.X ± 0.38 X.XX ± 0.25 X.XXX ± 0.20 Angle ± 3°	COSTOMER COPY	深圳市东方御业科技有限公司 Tel:0755-2715560 WWW.DFYCONN.COM		
	DRAWN: <b>Qinx</b>	2017/09/10	TITL: SATA 7P 公座 三面包 SMT型	
THESE DRAWING AND SPECIFICATION ARE THE PROPERTY OF Shenzhen Dongfangyue ELECTRONIC CO., LTD.. SHALL NOT BE REPRODUCED.	CHECKED: <b>Chenl</b>	2017/09/10	PART NO: <b>EAST-SA790SDSLCR</b>	DRAWING NO: (RoHS)
	APPROVED: <b>Chenl</b>	2017/09/10	UNIT: mm	SCALE: N/A

DO NOT SCALE PRINT