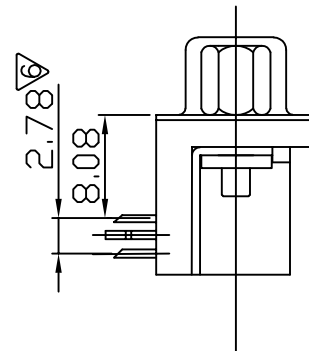
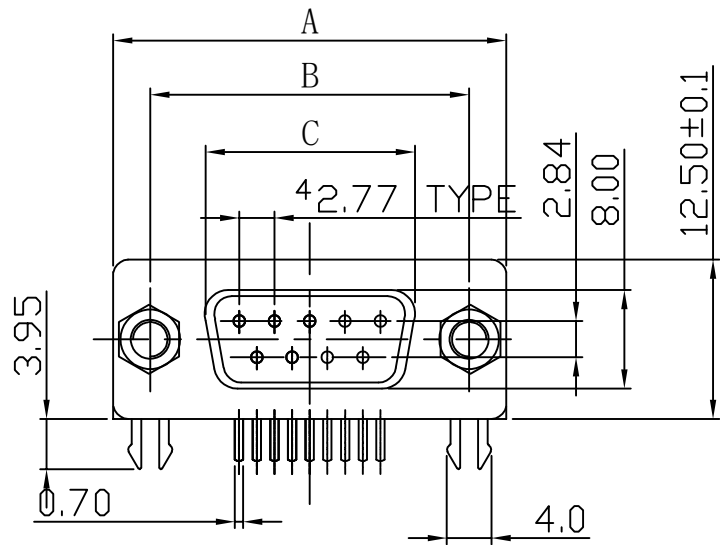
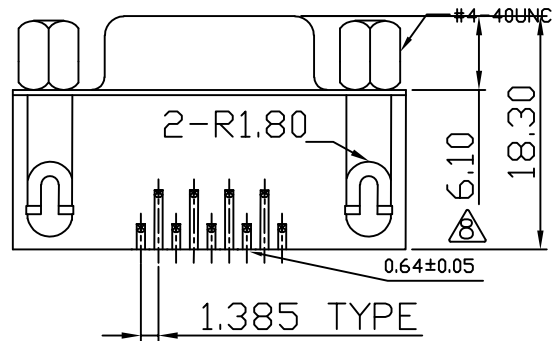
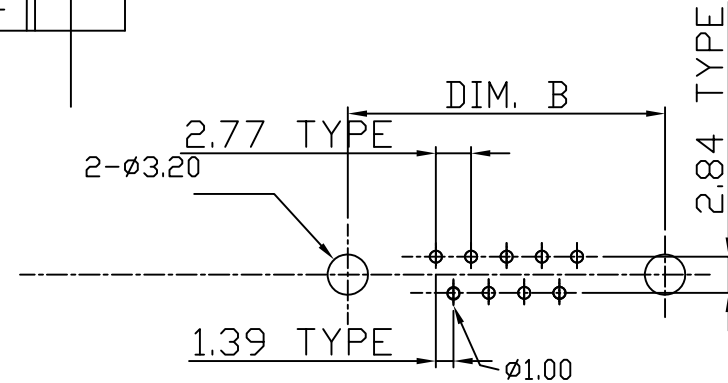


REV.	ECN NO.	MODIFY	MATTER	DATE	APPROVED
A		RELEASE TO PRODUCTION			



MATERIAL:
 INSULATOR:PBT+30% GLASS FIBER(UL94V-0).
 CONTACT: BRONZE
 CONTACTPLATED:GOLD OVER NICKELOR TIN
 SHELL:STEEL,nickel
SPEIFICATION:
 CURRENT RATE:5 AMPS
 INSULATOR RESISTANCE:1000M MIN.AT 500V DC
 DIELECTRIC STRENGTH:1000V PER
 OPERATION TEMPERATURE:-55C TO+105C
 IMPEDANCE:16M FOR 25MHz
 NOTICE: THE DIMENSION MAKED WITH " * "
 MUST BE CONTROLLED BY QC.



EAST-D-SUB-XXFX808-X

- 1:锁螺丝
- 2:无螺丝

B:Black
G:Green

RECOMMENDED PC BOARD LAYOUT
 APPLICATIONS: PC BOARD THICKNESS=1.60mm

POS.	A	B	C
09	30.80	24.99	16.40
15	39.2	33.32	24.80
25	53.10	47.04	38.50
37	70.00	63.50	54.90

TOLERANCES UNLESS OTHERWISE SPECIFIED:
 X. ---
 X.X ± 0.38
 X.XX ± 0.25
 X.XXX ± 0.10
 Angle ±1'

THESE DRAWING AND SPECIFICATION ARE THE PROPERTY OF Shenzhen Dongfangyue ELECTRONIC CO., LTD.. SHALL NOT BE REPRODUCED.

CUSTOMER COPY
 DRAWN: CHENLEI
 CHECKED: CHENLEI
 APPROVED: QINKAIXING

深圳市东方御业科技有限公司
 WWW.DFYCONN.COM TEL:0755-27155560

TITIAL: DR 9F????
 PART NO: EAST-D-SUB-XXFX808-X
 UNIT: mm
 SCALE: N/A
 SHEEL: 1:1
 REV.