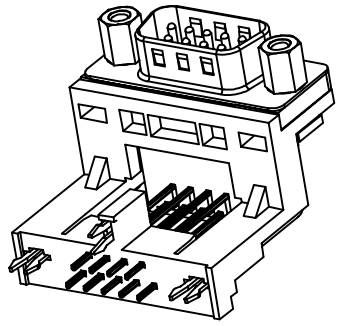
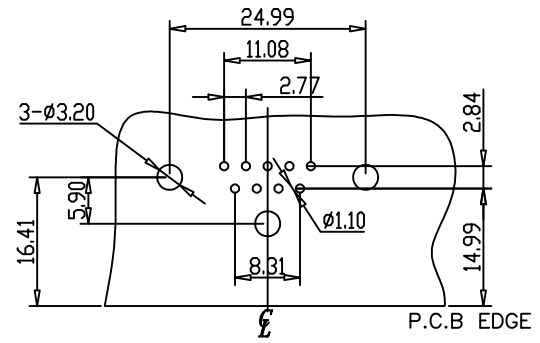
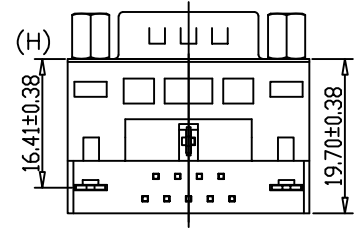
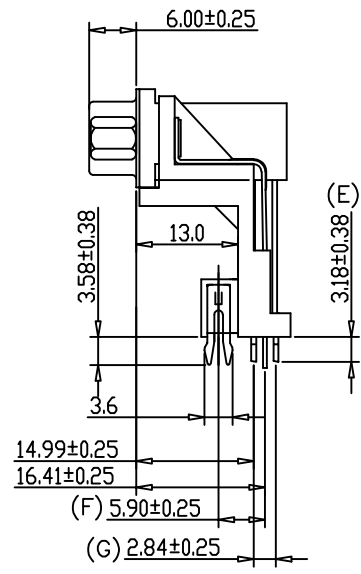
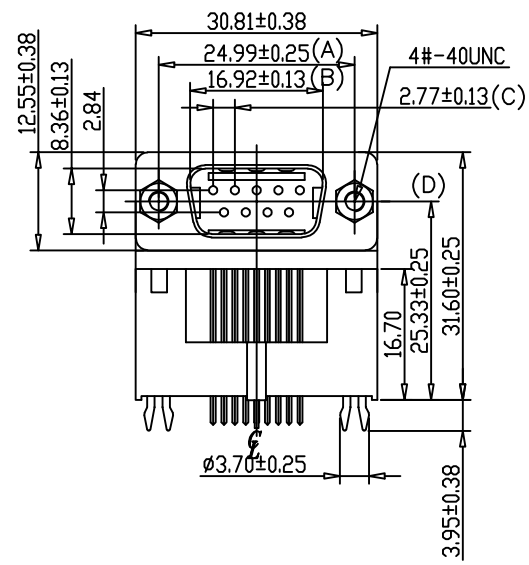


REV.	ECN NO.	MODIFY MATTER	DATE	APPROVED
A		RELEASE TO PRODUCTION	2013/02/05	Mike



SPECIFICATIONS

ELECTRICAL CHARACTERISTICS:
 Contact Current Rating:3 Amperes.
 Dielectric Withstanding Voltage: AC 1000/60sec.r.m.s.
 Insulation Resistance:1000 Megohms Minimum.at DC 500V.
 Contact Resistance:25 Milliohms Maximum.
 Operating Temperature:-55°C to+105°C.

MECHANICAL CHARACTERISTICS:
 Contact Insertion Force:341 g.Maximum.
 Contact Separation Force:21 g.Minimum.

MATERIALS:
 Contacts:Brass.
 Insulator: PBT Or High Temperature Plastic
 UL 94V-0 Rated.
 Shell:Cold Roller Steel.
FINISHES:
 Contact:Gold Flash Or Full Gold.
 Shell:Tin Or Nickel Plated.

EAST-A333AP2A31R

- INSULATOR MATERIALS
 - 1: PBT
 - 3: PA9T
- COLOR STYLE
 - 1: ALL BLACK
 - 2: ALL BLUE
 - 3: HOUSING-GREEN, BRACKET-BLACK
- FLANGE MOUNTING OPTION
 - 1: #4-40 THREADED HOLE
- A: #4-40 THREADED HOLE WITH #4-40UNC SCREWLOCK INSTALLED (4.8x11.8)
- B: #4-40 THREADED HOLE WITH #4-40UNC SCREWLOCK BULK-PACKED (4.8x11.8)
- E: #4-40 THREADED HOLE WITH #4-40UNC SCREWLOCK INSTALLED (5.8x13.0)
- F: #4-40 THREADED HOLE WITH #4-40UNC SCREWLOCK BULK-PACKED (5.8x13.0)

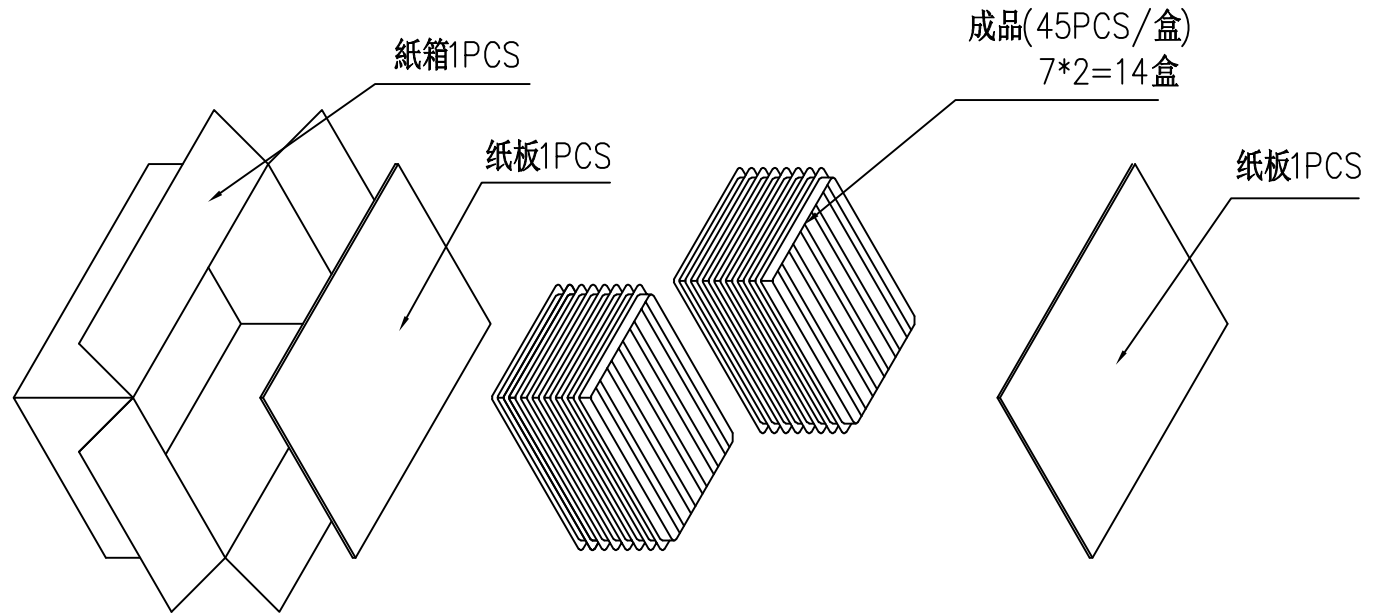
RECOMMENDED P.C.B. LAYOUT
 INSPECTION DIMENSION:(A)~(G)

TOLERANCES UNLESS OTHERWISE SPECIFIED: X. --- X.X ± 0.38 X.XX ± 0.25 X.XXX ± 0.20 Angle ± 3°	INSPECTION COPY	深圳市东方御业科技有限公司 TEL:0755-27155560 WWW.DFYCONN.COM	
	DRAWN: Qinkx	2013/02/05	TITLE: 9-19.05悬空塑胶支架半金雾锡 镍壳三叉锁5.8绿支架黑PBT成品 (RoHS)
THESE DRAWING AND SPECIFICATION ARE THE PROPERTY OF Shenzhen Dongfangyuye CO.,LTD. SHALL NOT BE REPRODUCED.	CHECKED: Chenlei	2013/02/05	PART NO: EAST-A333AP2A31R
	APPROVED: Chenlei	2013/02/05	DRAWING NO: UNIT: mm SCALE: N/A SHEEL: 1/1 REV: A

DO NOT SCALE PRINT

REV.	ECN NO.	MODIFY MATTER	DATE	APPROVED
A		RELEASE TO PRODUCTION	2013/02/05	Mike

包装图



加厚纸箱: 45*31*22.5CM

EAST-A333AP2A31R	X.XX	X.XX	45*14=630
料 號	N.W: (KG)	G.W: (KG)	QT*Y(PCS)

TOLERANCES UNLESS OTHERWISE SPECIFIED: X. --- X.X ± 0.38 X.XX ± 0.25 X.XXX ± 0.20 Angle ± 3°	INSPECTION COPY	深圳市东方御业科技有限公司 TEL:0755-27155560 WWW.DFYCONN.COM			
	DRAWN: Qinx	2013/02/05	TITIAL: 9-19.05悬空塑胶支架半金雾锡 镍壳三叉锁5.8绿支架黑PBT成品 (RoHS)		
	CHECKED: Chenlei	2013/02/05	PART NO: EAST-A333AP2A31R	DRAWING NO:	
	APPROVED: Chenlei	2013/02/05	UNIT: mm	SCALE: N/A	SHEEL: 1/1

DO NOT SCALE PRINT