

REV.	ECN NO.	MODIFY	MATTER	DATE	APPROVED
A		RELEASE TO PRODUCTION			

MATERIAL:

RJ45:
 HOUSING: PBT,UL94V-0,BLACK.
 RJ45 TERMINAL: PHOSPHOR BRONZE T=0.35MM, G/F" GOLD PLATING.

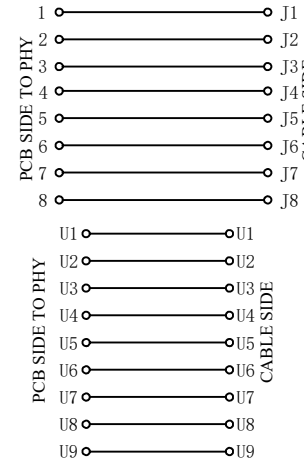
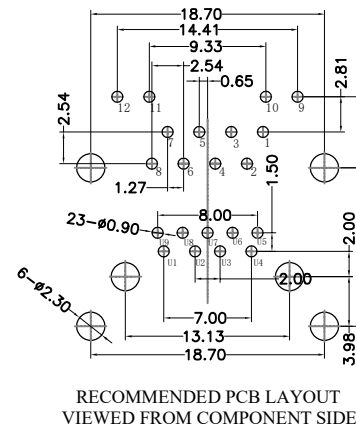
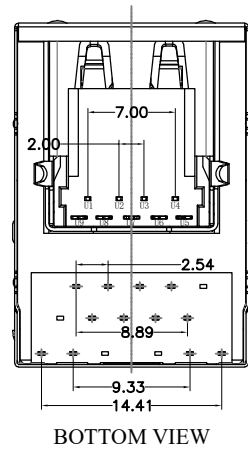
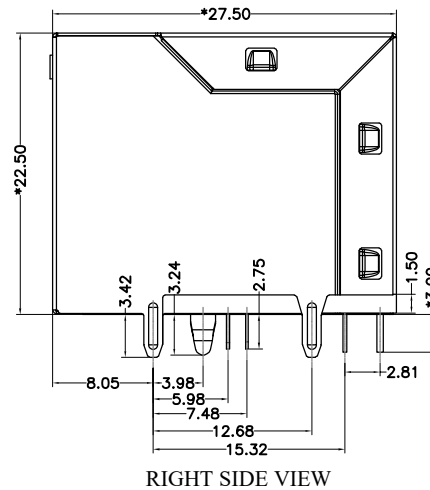
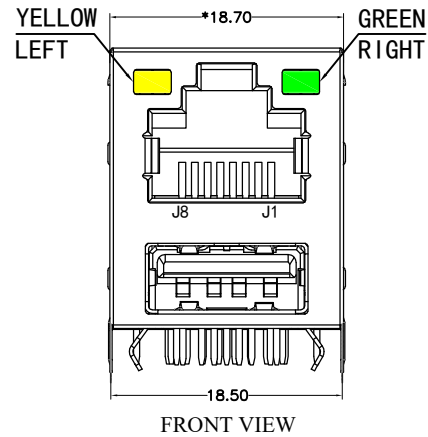
USB:
 HOUSING: PBT,UL94V-0,BLUE.
 RJ45 TERMINAL: PHOSPHOR BRONZE T=0.30MM, G/FU" GOLD PLATING.
 SHIELD: ALLOY.

MACHANICAL:

DURABILITY: 750 CYCLES MIN,12.5MM/MINUTE.
 INSERTION FORCE: 2.2KG.F MAX.
 RETENTION STRENGTH : 7.7KG.F BETWEEN JACK AND PLUG.
 OPERATING TEMPERATURE: -40℃~+85℃.
 STORAGE TEMPERATURE: -40℃~+85℃.
 ALL CRITICAL DIMENSIONS WITH "*"

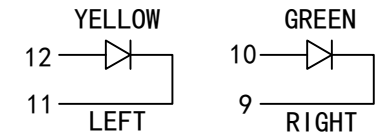
ELECTRICAL:

VOLTAGE: 125 VOLTS AC.
 CURRENT RATING : 1.5AMP.
 DIELECTRIC STRENGTH: 1000 VAC RMS 50HZ OR 60HZ,1MIN.
 INSULATION RESISTANCE: 500 MEGA OHMS MIN. INITIAL
 AFTER 500V DC FOR 1 MINUTE.
 CONTACT RESISTANCE: SINGLE TERMINAL 30 MILLIOHMS MAX.
 INITIAL 50 MILLIOHMS MAX. AFTER
 DURABILITY TEST.



LED Specification

Standard LED Color	LED Wavelength	Foward(A)	Foward(V)
Green	568nm	20mA	1.85-2.45V
Yellow	585nm	20mA	1.7-2.2V



EAST-RJUSB3X-B2XXR

LED 颜色类型: _____
 1-L LED: GREEN, R LED: YELLOW (左绿右黄)
 2-L LED: YELLOW, R LED: GREEN (左黄右绿)
 X: 按客户要求
 USB塑胶颜色: _____
 WE: 白色
 BK: 黑色
 BL: 蓝色

TOLERANCES UNLESS OTHERWISE SPECIFIED: X. --- X.X ± 0.38 X.XX ± 0.25 X.XXX ± 0.20 Angle ± 3°	COSTUMER COPY	深圳市东方御业科技有限公司 WWW.DFYCONN.COM TEL:0755-27155560	
	DRAWN: Qinkx	2017/09/10	TITL: RJ45+USB.0
THESE DRAWING AND SPECIFICATION ARE THE PROPERTY OF Shenzhen Dongfangyue ELECTRONIC CO., LTD. SHALL NOT BE REPRODUCED.	CHECKED: Chenl	2017/09/10	PART NO: EAST-RJUSB3X-B2XXR (RoHS)
	APPROVED: Chenl	2017/09/10	UNIT: mm
			SCALE: N/A SHEEL: REV.