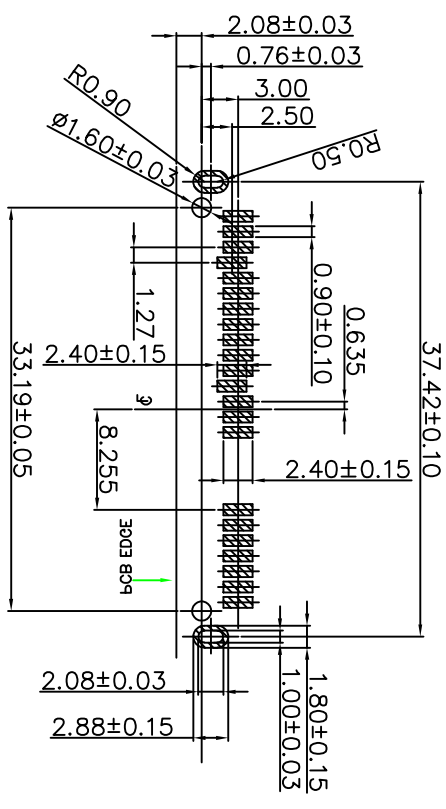
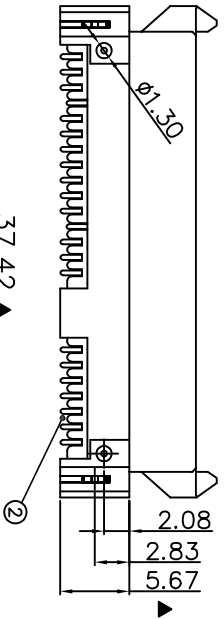
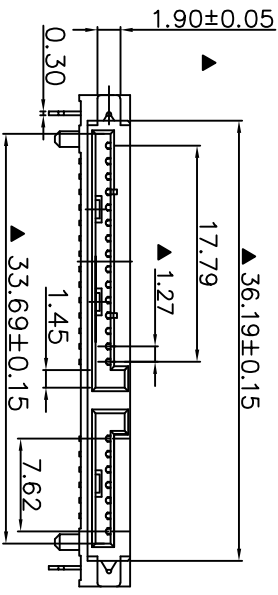
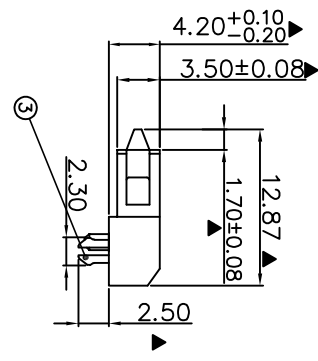
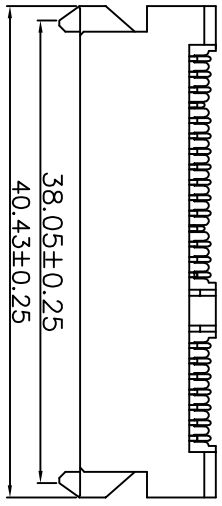


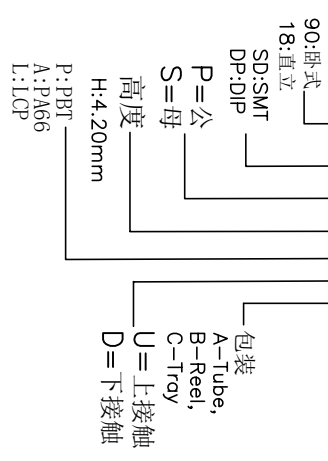
REV.	ECK NO.	MODIFY MATTER	DATE	APPROVED
A		RELEASE TO PRODUCTION		



RECOMMEND PCB LAYOUT (T=1.2)  
PCB TOLERANCE:±0.05

**SPECIFICATION:**  
 1. MATERIAL:  
 HOUSING: LCP UL 94V-0  
 COLOR: BLACK  
 CONTACT: PHOSPHOR BRONZE C5191R-H,T=0.25MM  
 PEG: BRASS C2680R-H,T=0.35MM  
 2. FINISH:  
 CONTACT: 1U"3U"5U"15U" GOLD/TIN PLATING ON CONTACT AREA  
 100U" MIN. TIN PLATING ON SOLDERTAILS  
 50U" MIN. NICKEL UNDERPLATING OVER ALL  
 PEG: 100U" MIN. TIN PLATING ON SOLDERTAILS  
 50U" MIN. NICKEL UNDERPLATING OVER ALL

**EAST-SA90SDS42LUCR**



TOLERANCES UNLESS OTHERWISE SPECIFIED: X. X.X ± 0.38 X.XX ± 0.25 X.XXX ± 0.10 Angle ± 1°		COSTOMER COPY		<b>深圳市东方御业科技有限公司</b> WWW.DFYCONN.COM TEL:0755-27155560	
THESE DRAWING AND SPECIFICATION ARE THE PROPERTY OF Shenzhen Dongfangyue Electronic Co., Ltd. SHALL NOT BE REPRODUCED.		PREPARED: X.XX	CHECKED: CHENLEI	DATE: 2017/09/10	PART NO: EAST-SA90SDS42LUCR
		APPROVED: CHENLEI	QUANTITY:	DATE: 2017/09/10	SCALE: N/A
		SATA 7+15P 母座 SMT H:4.20 板上型 侧插鱼叉 (ReHS)		SCALE: N/A	SHEET: 1:1